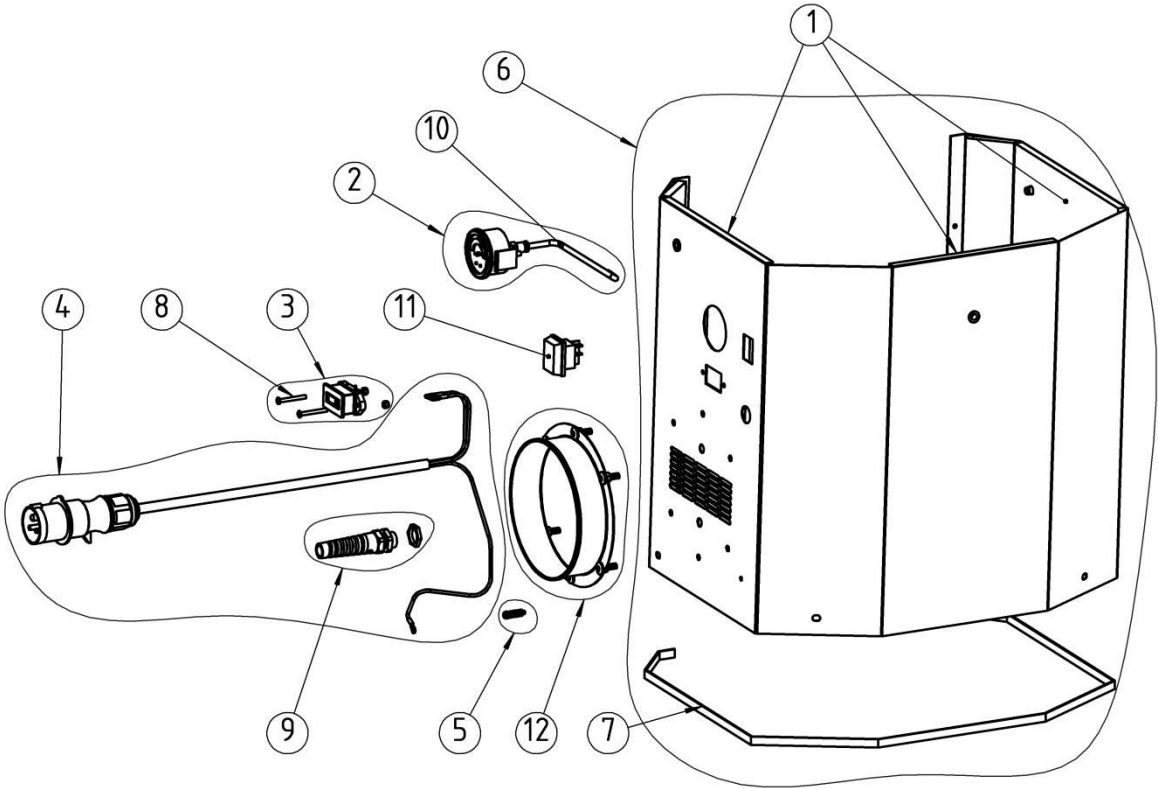


S36 230V

MOTOR COVER



S36 230V

MOTOR COVER

Pos

Article Number

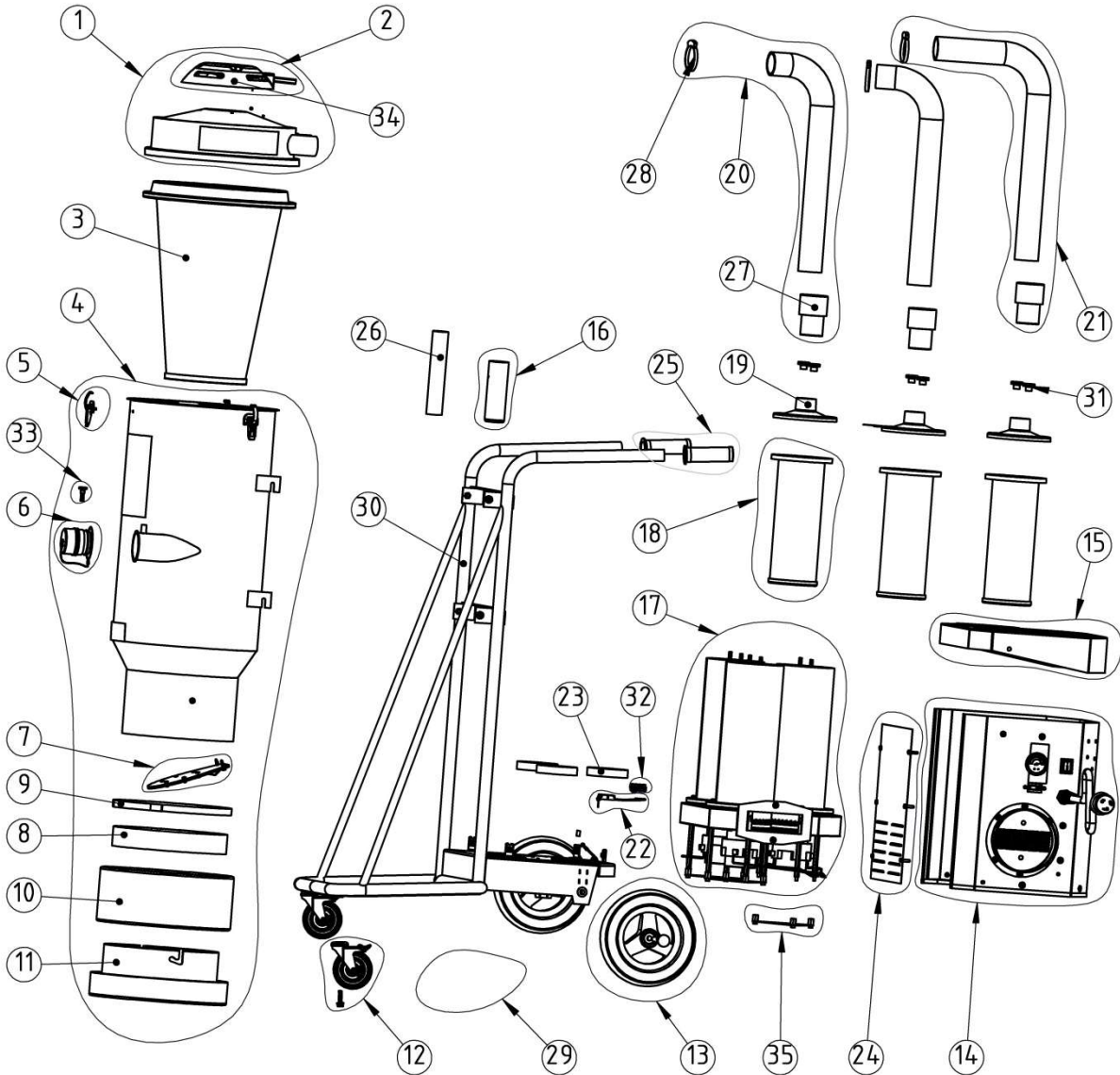
Description

QTY

1	590450601	AC FOAM PACKING	1
2	590396701	MANOMETER KIT	1
3	590415301	COUNTER SET	1
4	590450201	CORD SET PACKING	1
5	590449601	GROUNDING SCREW KIT	1
6	590449701	MOTOR COVER	1
7	590450401	SEALING PACKING	1
8	590449801	SCREW SET OF COUNTER	2
9	590402501	CABLE FIX KIT (PG13)	1
10	590450501	HOSE PACKING	1
11	590402601	SWITCH PACKING	1
12	590449301	160MM EXHAUST AIR OUTLET PACKING	1

S36 230V 30A

EXPLODED VIEW

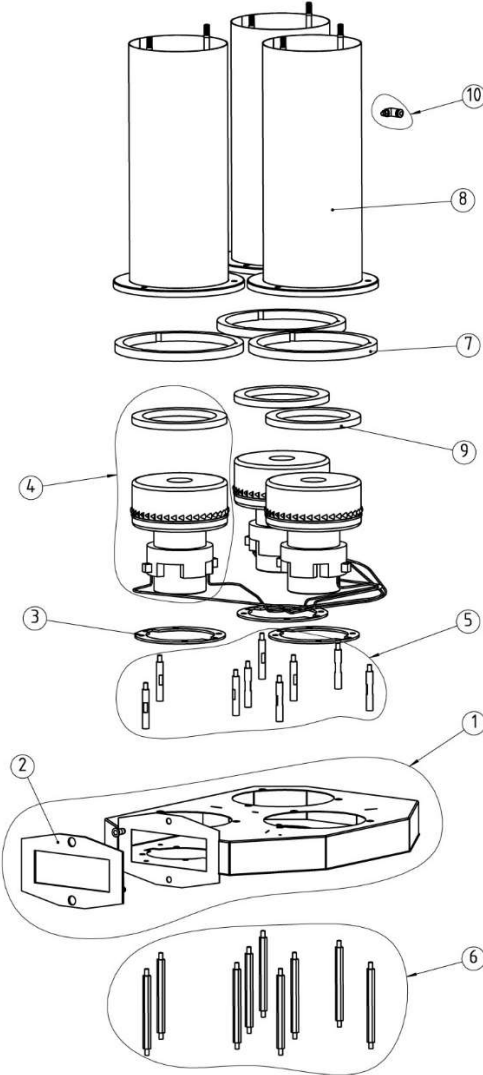


S36 230V

30A	EXPLODED VIEW		
Pos	Article Number	Description	QTY
1	590478601	TOP COVER PACKING (ex. S36)	1
2	590415001	CLEAN UNIT ASSEMBLY PACKING	1
3	590430202	FILTER	1
4	590478501	TANK COMPLETE (ex. S36)	1
5	590396401	HOLDER KIT	3
6	590426701	INLET SEAL COMPLETE SET	1
7	590398601	FLAP KIT	1
8	590402301	ANTI-SKID PACKING	1
9	590401801	BELT PACKING	1
10	590429201	LONGOPAC BAG 4 PACK	1
11	590426901	LONGOPAC HOLDER PACKING	1
12	590397201	FRONT WHEEL KIT	1
13	590397001	REAR WHEEL KIT	1
14	590478801	MOTOR COVER ASSEMBLY (ex. S36 30 A OUTLET)	1
15	590448701	TOP MOTOR COVER KIT (ex.S36)	1
16	590426401	CLIP HOLDER KIT	1
17	590450701	MOTOR BOX KIT PACKING	1
18	590429801	HEPA FILTER S-LINE USA	3
19	590398901	FILTER COVER KIT	3
20	590448801	MIDDLE HOSE KIT OF S36	2
21	590448901	HOSE KIT OF S36	1
22	590426201	SOFT START 230V, KIT	1
23	590450301	INSULATION PACKING	3
24	590449001	PLATE COVER KIT OF MOTOR COVER	1
25	590449101	HANDLE KIT PACKING	1
26	590426001	LONGOPAC SEAL CLIPS(60 PCS)	1
27	590438101	HOSE END (51MM) PACKING	3
28	590400801	HOSE CLAMP 60-65 PACKING	3
29	590449201	SCREW AND NUT SET OF S36	1
30	590449401	WAGON ASSEMBLY	1
31	590400701	KUNRLED THUMB NUT	6
32	590449501	CONNECTION BRIDGE KIT	1
33	590401601	LOCKING DEVICE PACKING	1
34	590399601	TOP COVER KIT ex. CLEAN UNIT	1
35	590476801	BOTTOM COVER KIT	3

S36 230V 30A

MOTOR PACAKAGE



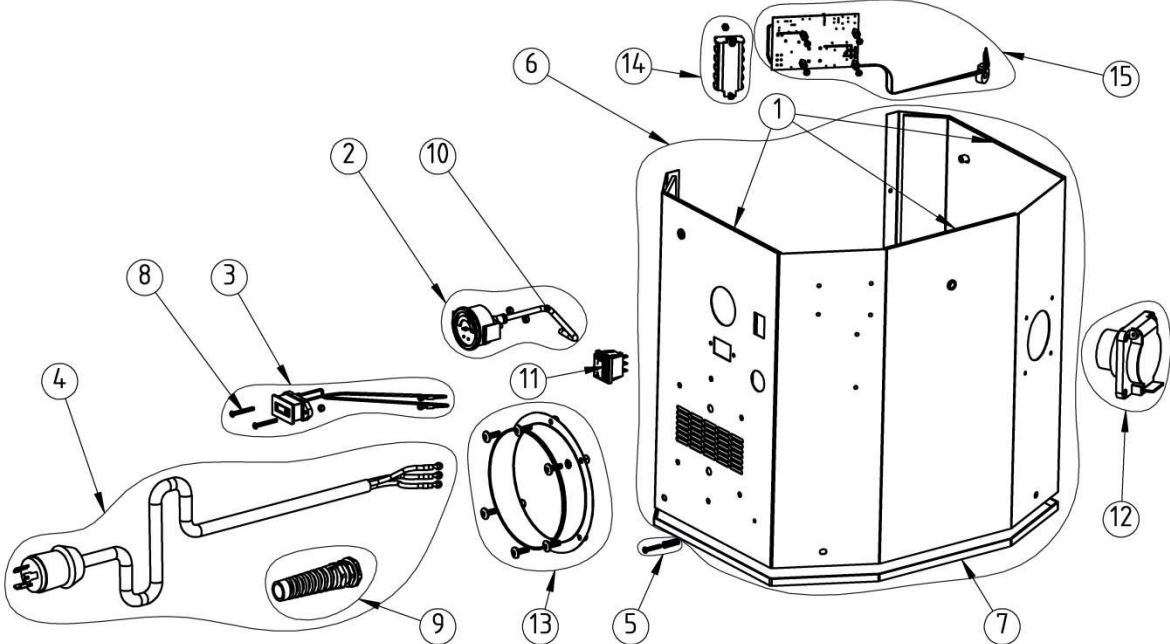
S36 230V

30A MOTOR PACKAGE

Pos	Article Number	Description	QTY
1	590450901	MOTOR BOX (ex. S36)	1
2	590451001	SEALING 160 mm OUTLET	1
3	590451101	SEALING PACKING	1
4	590396901	MOTOR 230V KIT	3
5	590451201	UPPER SUPPORT PIN KIT (ex. S36)	1
6	590451301	LOWER SUPPORT PIN KIT (ex. S36)	1
7	590450801	TOP MOTOR SEALING	1
8	590451401	FILTER HOUSING	3
9	590451501	MOTOR SEALING KIT	1
10	590448601	NIPPLE ANGLE KIT	1

S36 230V 30A

MOTOR COVER



S36 230V

30A

MOTOR COVER

Pos

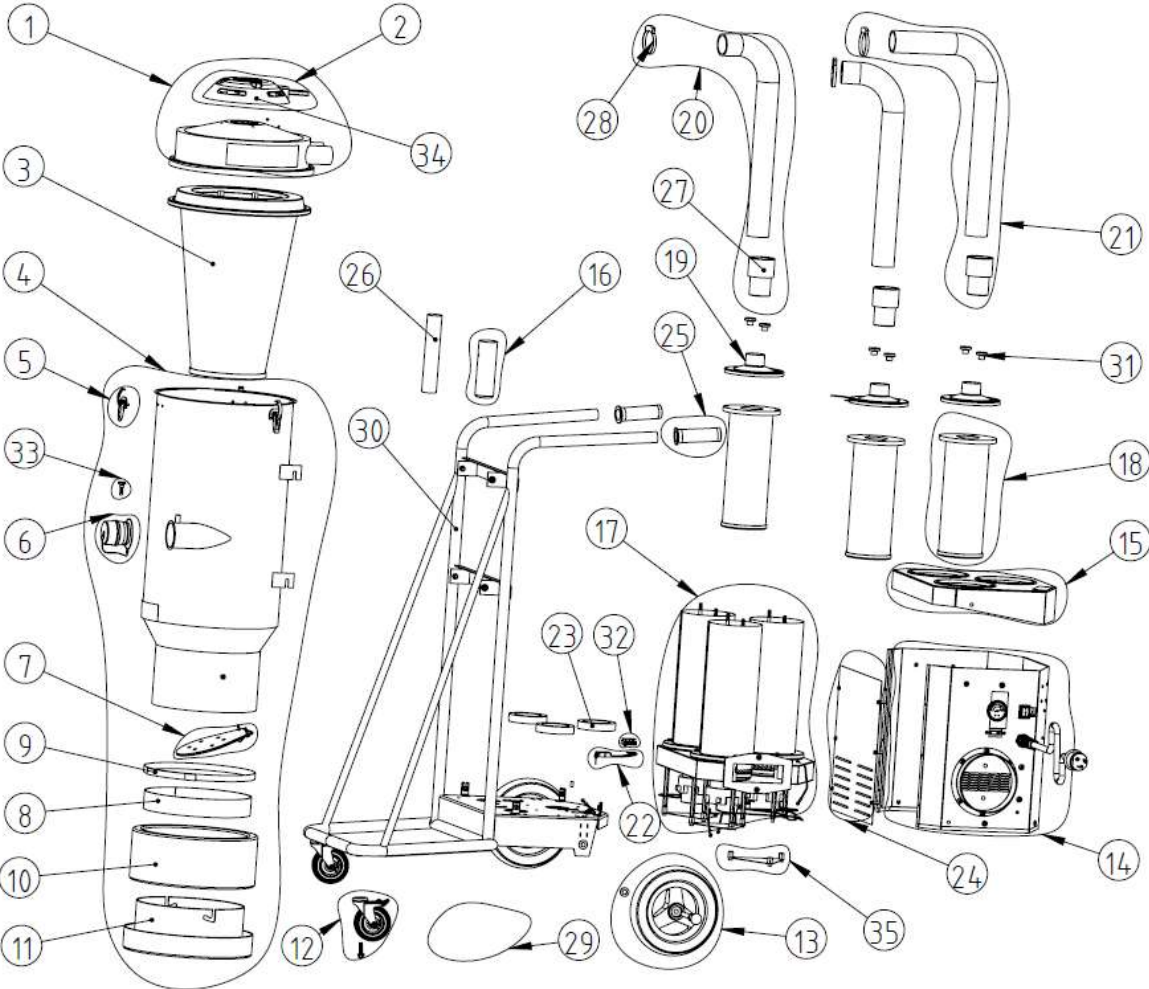
Article Number

Description

QTY

1	590452101	AC FOAM ETL VERSION PACKING	1
2	590396701	MANOMETER KIT	1
3	590415301	COUNTER SET	1
4	590450101	CORD SET KIT (ex. S36 30A OUTLET)	1
5	590449601	GROUNDING SCREW KIT	1
6	590452001	MOTOR COVER KIT (ex.S36a)	1
7	590450401	SEALING PACKING	1
8	590449801	SCREW SET OF COUNTER	1
9	590451801	CABLE FIX KIT PG21	1
10	590450501	HOSE PACKING	1
11	590403001	SWITCH PACKING	1
12	590449901	ELECTRICAL OUTLET 30A	1
13	590449301	160MM EXHAUST AIR OUTLET PACKING	1
14	590451601	TERMINAL STRIP KIT (ex.S36 30A)	1
15	590451701	PCBA KIT (ex.S36a 30A)	1

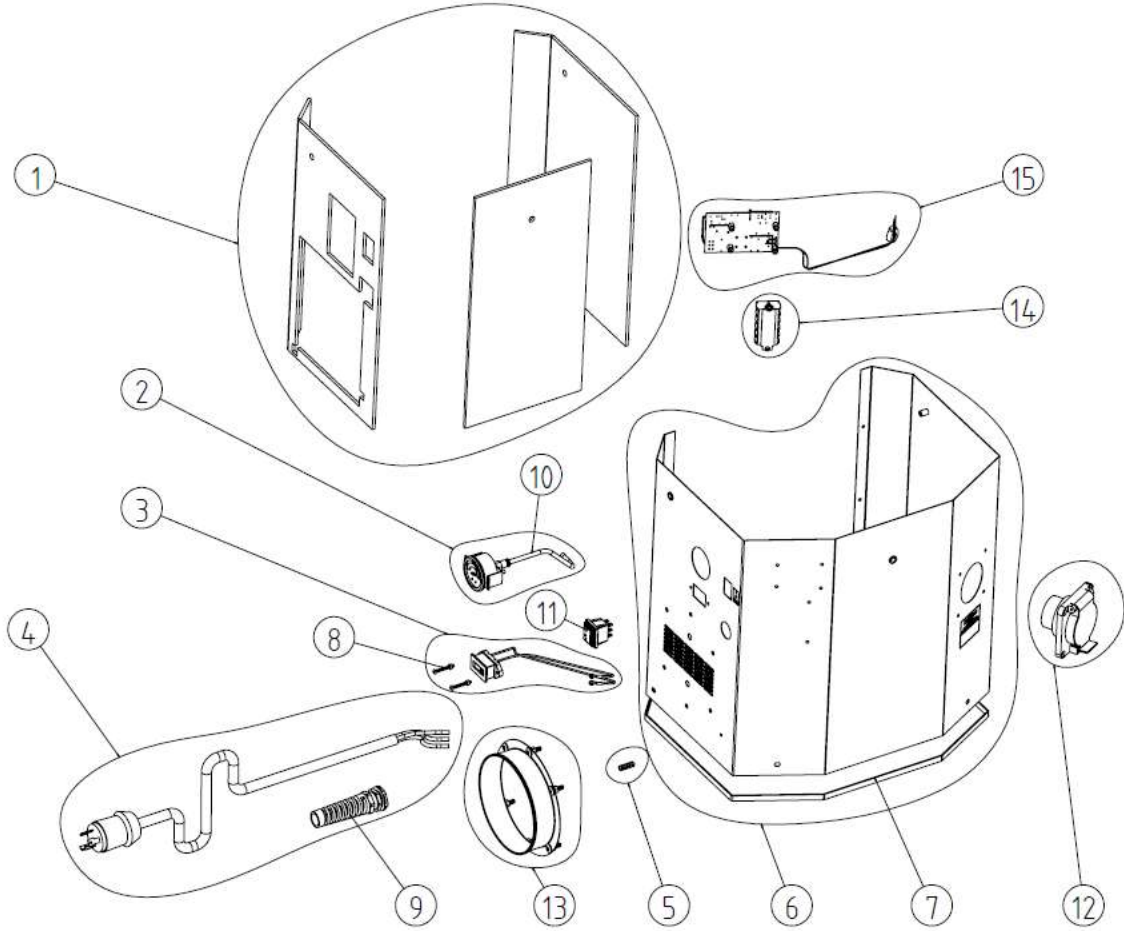
S36 230V 50A



S36 230V

50A	EXPLODED VIEW		
Pos	Article Number	Description	QTY
1	590478601	TOP COVER PACKING (ex. S36)	1
2	590415001	CLEAN UNIT ASSEMBLY PACKING	1
3	590430202	FILTER	1
4	590478501	TANK COMPLETE (ex. S36)	1
5	590396401	HOLDER KIT	3
6	590426701	INLET SEAL COMPLETE SET	1
7	590398601	FLAP KIT	1
8	590402301	ANTI-SKID PACKING	1
9	590401801	BELT PACKING	1
10	590429201	LONGOPAC BAG 4 PACK	1
11	590426901	LONGOPAC HOLDER PACKING	1
12	590397201	FRONT WHEEL KIT	1
13	590397001	REAR WHEEL KIT	1
14	N/A	MOTOR COVER ASSEMBLY (ex. S36 50A OUTLET)	1
15	590448701	TOP MOTOR COVER KIT (ex.S36)	1
16	590426401	CLIP HOLDER KIT	1
17	590450701	MOTOR BOX KIT PACKING	1
18	590429801	HEPA FILTER S-LINE USA	3
19	590398901	FILTER COVER KIT	3
20	590448801	MIDDLE HOSE KIT OF S36	2
21	590448901	HOSE KIT OF S36	1
22	590426201	SOFT START 230V, KIT	1
23	590450301	INSULATION PACKING	3
24	590449001	PLATE COVER KIT OF MOTOR COVER	1
25	590449101	HANDLE KIT PACKING (ex.S36)	1
26	590426001	LONGOPAC SEAL CLIPS(60 PCS)	1
27	590438101	HOSE END (51MM) PACKING	3
28	590400801	HOSE CLAMP 60-65 PACKING	3
29	590449201	SCREW AND NUT SET OF S36	1
30	590449401	WAGON ASSEMBLY	1
31	590400701	KUNRLED THUMB NUT	6
32	590449501	CONNECTION BRIDGE KIT	1
33	590401601	LOCKING DEVICE PACKING	1
34	590399601	TOP COVER KIT ex. CLEAN UNIT	1
35	590476801	BOTTOM COVER KIT	3

S36 230V 50A



S36 230V

50A

MOTOR COVER

Pos

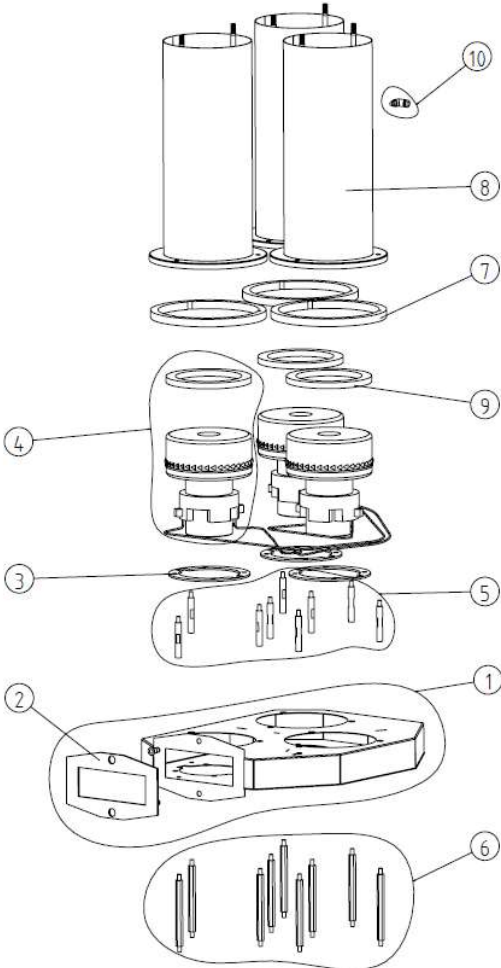
Article Number

Description

QTY

1	590452101	AC FOAM ETL VERSION PACKING	1
2	590396701	MANOMETER KIT	1
3	590415301	COUNTER SET	1
4	N/A	CORD SET KIT (ex. S36 50A OUTLET)	1
5	590449601	GROUNDING SCREW KIT	1
6		MOTOR COVER KIT (ex.S36 50A)	1
7	590450401	SEALING PACKING	1
8	590449801	SCREW SET OF COUNTER	1
9	N/A	RACO CONNECTOR CABLE CORD KIT	1
10	590450501	HOSE PACKING	1
11	590403001	SWITCH PACKING	1
12	590449901	ELECTRICAL OUTLET 30A	1
13	590449301	160MM EXHAUST AIR OUTLET PACKING	1
14	N/A	TERMINAL STRIP KIT (ex.S36 50A)	1
15	590451701	PCBA KIT (ex.S36a 30A)	1

S36 230 V 50A



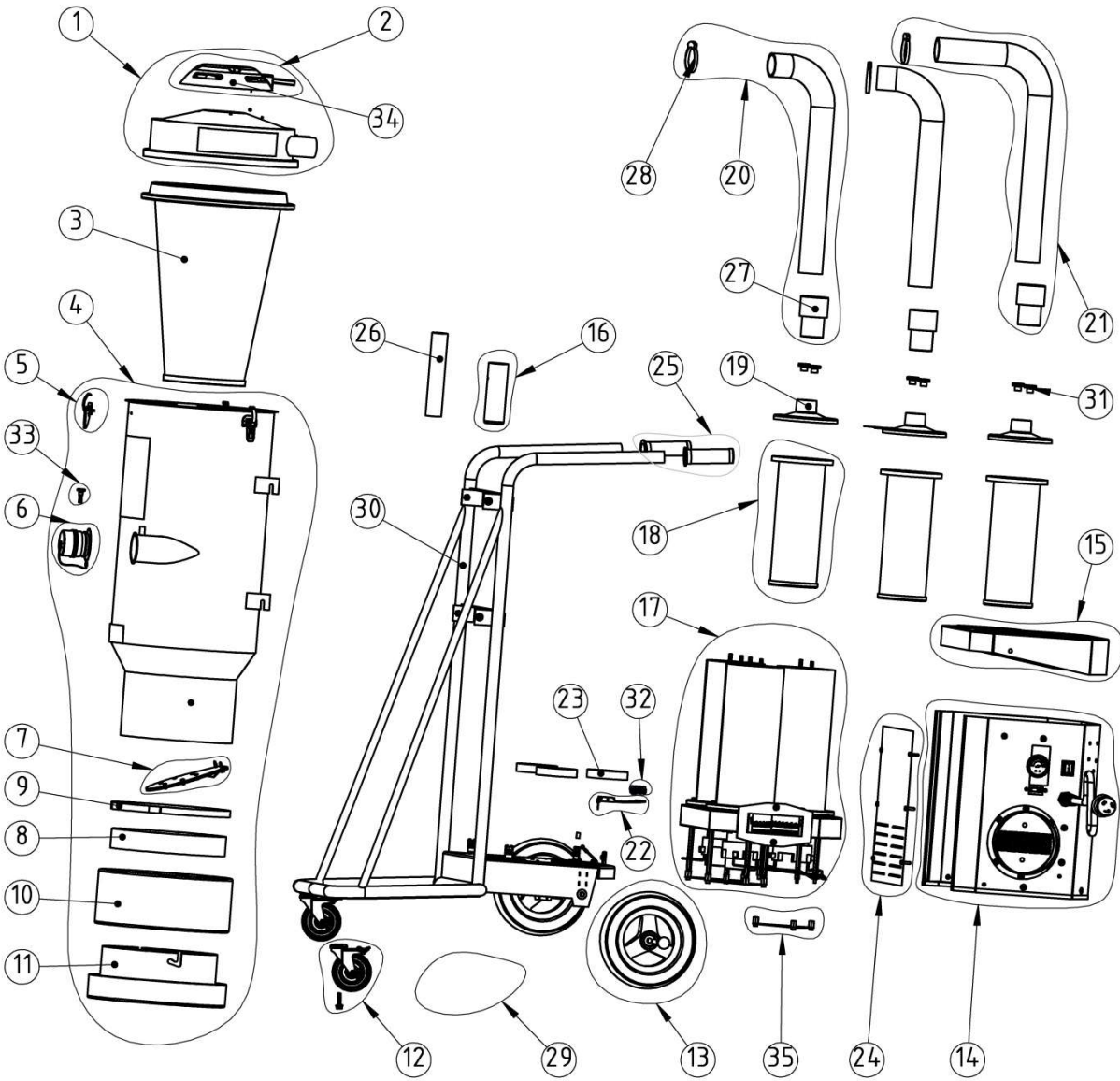
S36 230V

50A MOTOR PACKAGE

Pos	Article Number	Description	QTY
1	590450901	MOTOR BOX (ex. S36)	1
2	590451001	SEALING 160 mm OUTLET	1
3	590451101	SEALING PACKING	1
4	590396901	MOTOR 230V KIT	3
5	590451201	UPPER SUPPORT PIN KIT (ex. S36)	1
6	590451301	LOWER SUPPORT PIN KIT (ex. S36)	1
7	590450801	TOP MOTOR SEALING	1
8	590451401	FILTER HOUSING	3
9	590451501	MOTOR SEALING KIT	1
10	590448601	NIPPLE ANGLE KIT	1

S36 120V

EXPLODED VIEW



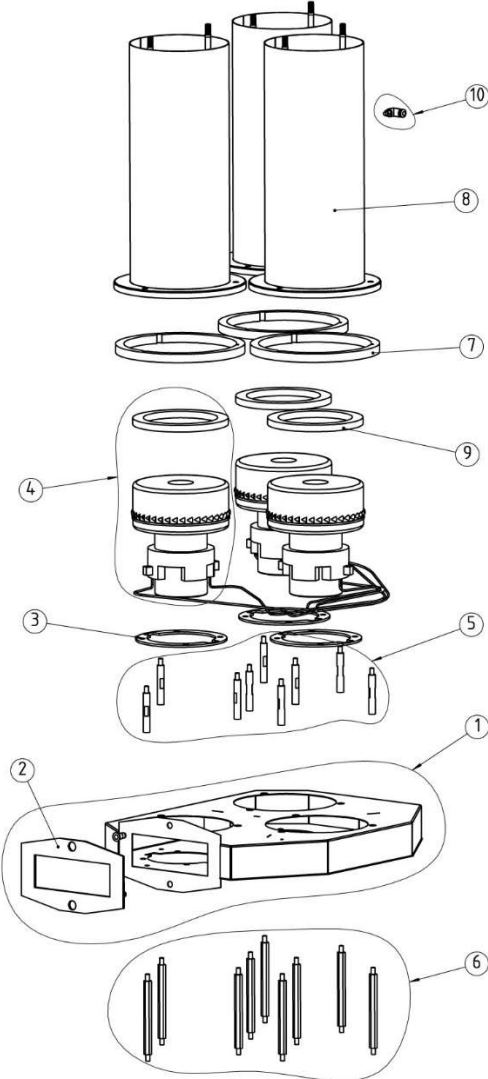
S36 120V

EXPLODED VIEW

Pos	Article Number	Description	QTY
1	590478601	TOP COVER PACKING (ex. S36)	1
2	590415001	CLEAN UNIT ASSEMBLY PACKING	1
3	590430202	FILTER	1
4	590478501	TANK COMPLETE (ex. S36)	1
5	590396401	HOLDER KIT	3
6	590426701	INLET SEAL COMPLETE SET	1
7	590398601	FLAP KIT	1
8	590402301	ANTI-SKID PACKING	1
9	590401801	BELT PACKING	1
10	590429201	LONGOPAC BAG 4 PACK	1
11	590426901	LONGOPAC HOLDER PACKING	1
12	590397201	FRONT WHEEL KIT	1
13	590397001	REAR WHEEL KIT	1
14	N/A	MOTOR COVER ASSEMBLY (ex. S36 USA 120V)	1
15	590448701	TOP MOTOR COVER KIT (ex.S36)	1
16	590426401	CLIP HOLDER KIT	1
17	N/A	MOTOR BOX KIT(ex.S36 USA 120V)	1
18	590429801	HEPA FILTER S-LINE USA	3
19	590398901	FILTER COVER KIT	3
20	590448801	MIDDLE HOSE KIT OF S36	2
21	590448901	HOSE KIT OF S36	1
22	590426201	SOFT START 230V, KIT	1
23	590450301	INSULATION PACKING	3
24	590449001	PLATE COVER KIT OF MOTOR COVER	1
25	590449101	HANDLE KIT PACKING	1
26	590426001	LONGOPAC SEAL CLIPS(60 PCS)	1
27	590438101	HOSE END (51MM) PACKING	3
28	590400801	HOSE CLAMP 60-65 PACKING	3
29	590449201	SCREW AND NUT SET OF S36	1
30	590449401	WAGON ASSEMBLY	1
31	590400701	KUNRLED THUMB NUT	6
32	590449501	CONNECTION BRIDGE KIT	1
33	590401601	LOCKING DEVICE PACKING	1
34	590399601	TOP COVER KIT ex. CLEAN UNIT	1
35	590476801	BOTTOM COVER KIT	3

S36 120V

MOTOR PACKAGE



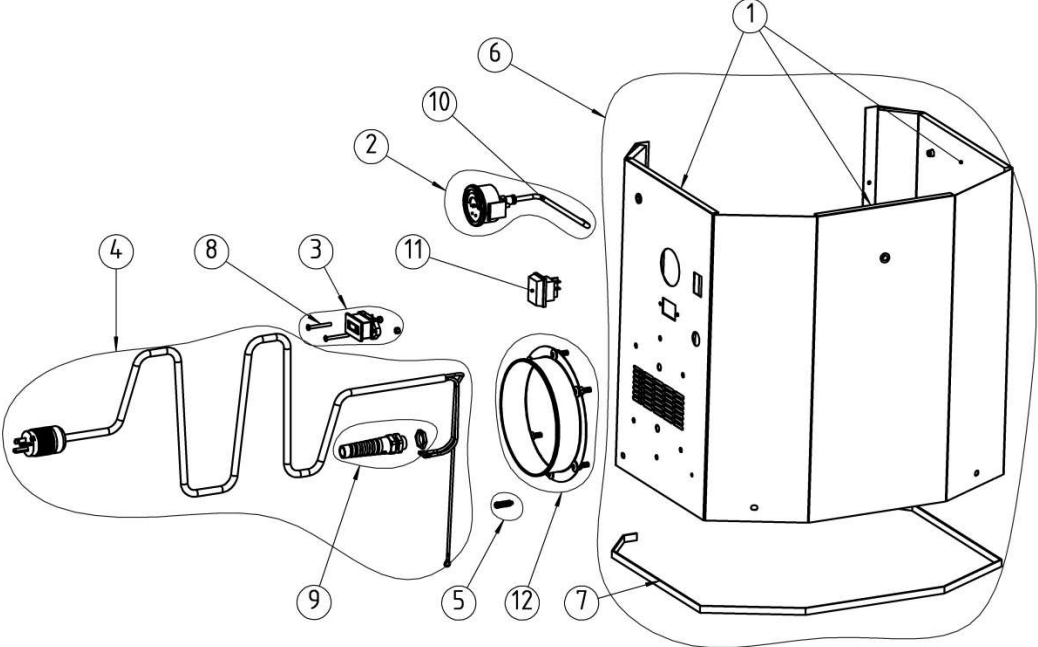
S36 120V

MOTOR PACKAGE

Pos	Article Number	Description	QTY
1	590450901	MOTOR BOX (ex. S36)	1
2	590451001	SEALING 160 mm OUTLET	1
3	590451101	SEALING PACKING	1
4	N/A	MOTOR 120V 800W KIT	3
5	590451201	UPPER SUPPORT PIN KIT (ex. S36)	1
6	590451301	LOWER SUPPORT PIN KIT (ex. S36)	1
7	590450801	TOP MOTOR SEALING	1
8	590451401	FILTER HOUSING	3
9	590451501	MOTOR SEALING KIT	1
10	590448601	NIPPLE ANGLE KIT	1

S36 120V

MOTOR COVER

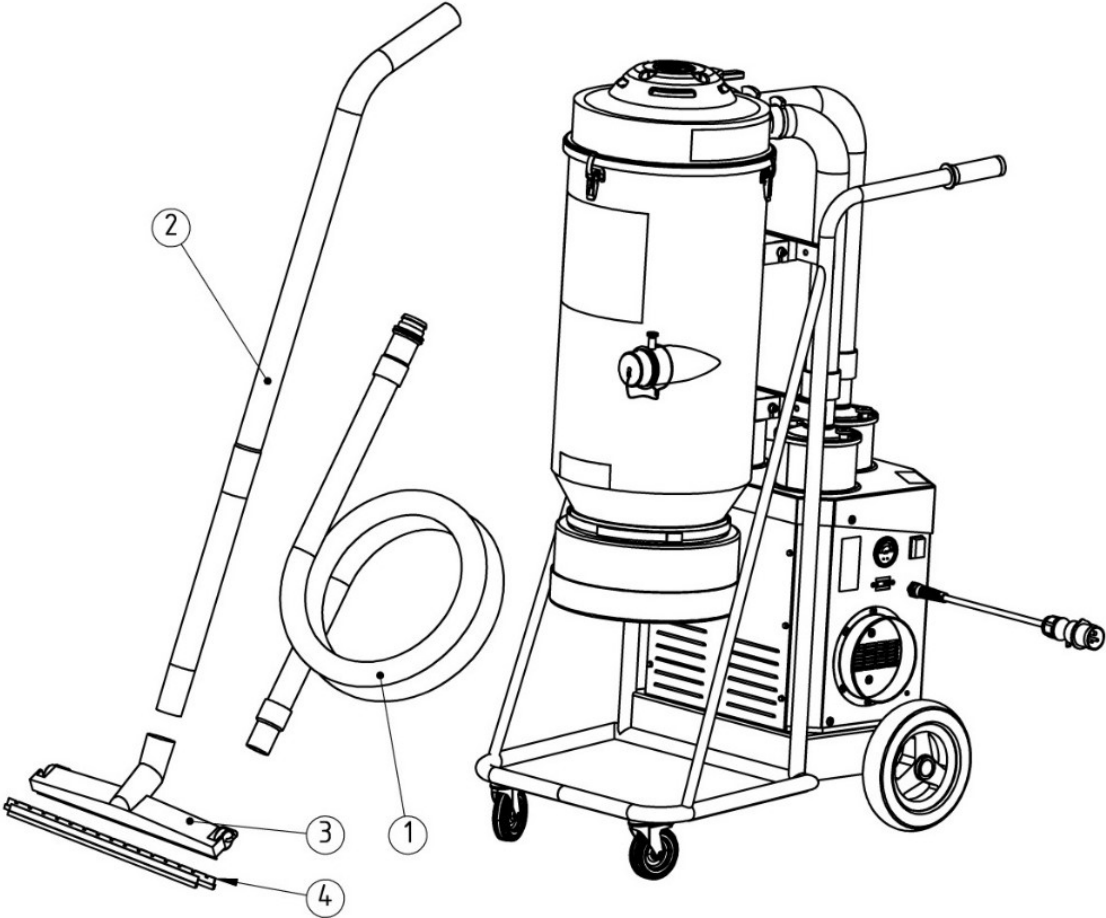


S36 120V

MOTOR COVER

Pos	Article Number	Description	QTY
1	590452101	AC FOAM ETL VERSION	1
2	590396701	MANOMETER KIT	1
3	590415301	COUNTER SET	1
4	590427301	CORD SET PACKING (NEMA 5-20P)	1
5	590449601	GROUNDING SCREW KIT	1
6	N/A	MOTOR COVER 120V KIT	1
7	590450401	SEALING PACKING	1
8	590449801	SCREW SET OF COUNTER	2
9	590402501	CABLE FIX KIT (PG13)	1
10	590450501	HOSE PACKING	1
11	590402601	SWITCH PACKING	1
12	590449301	160MM EXHAUST AIR OUTLET PACKING	1

ACCESSORIES S36



S36	ACCESSORIES		
Pos	Article Number	Description	QTY
1	590437401	HOSE 63mm x 10m (ex. S36)	1
(1)	590437301	HOSE 51mm x 7,5m (ex. S26)	1
2	590829401	50S Wand Kit (2pc) dia 50	1
3	590428302	S450 Floor Tool 50mm x 450mm	1
4	590428503	AG46A BRUSHES (L=400/445)	1