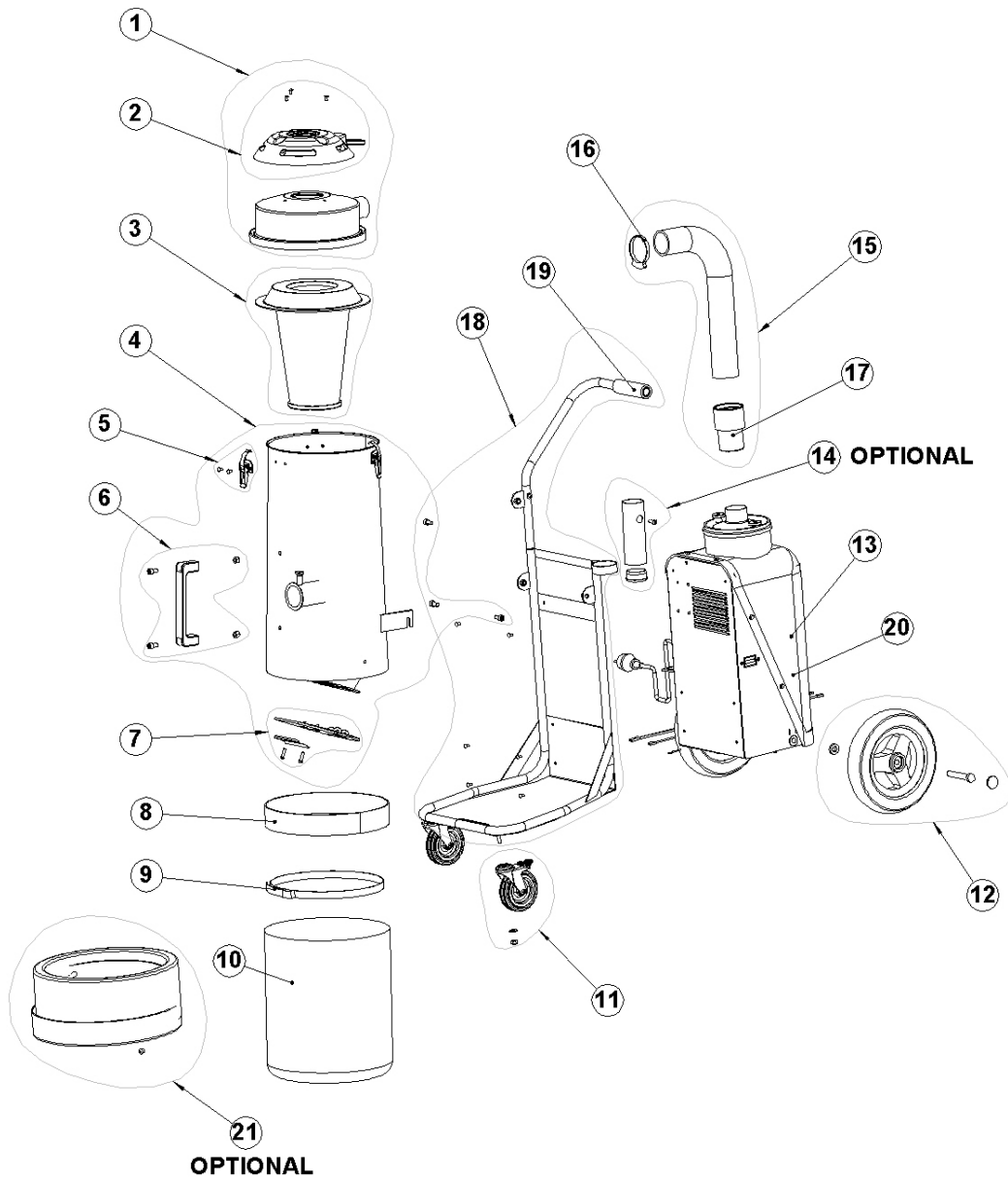


S13 230 V, S13 120V



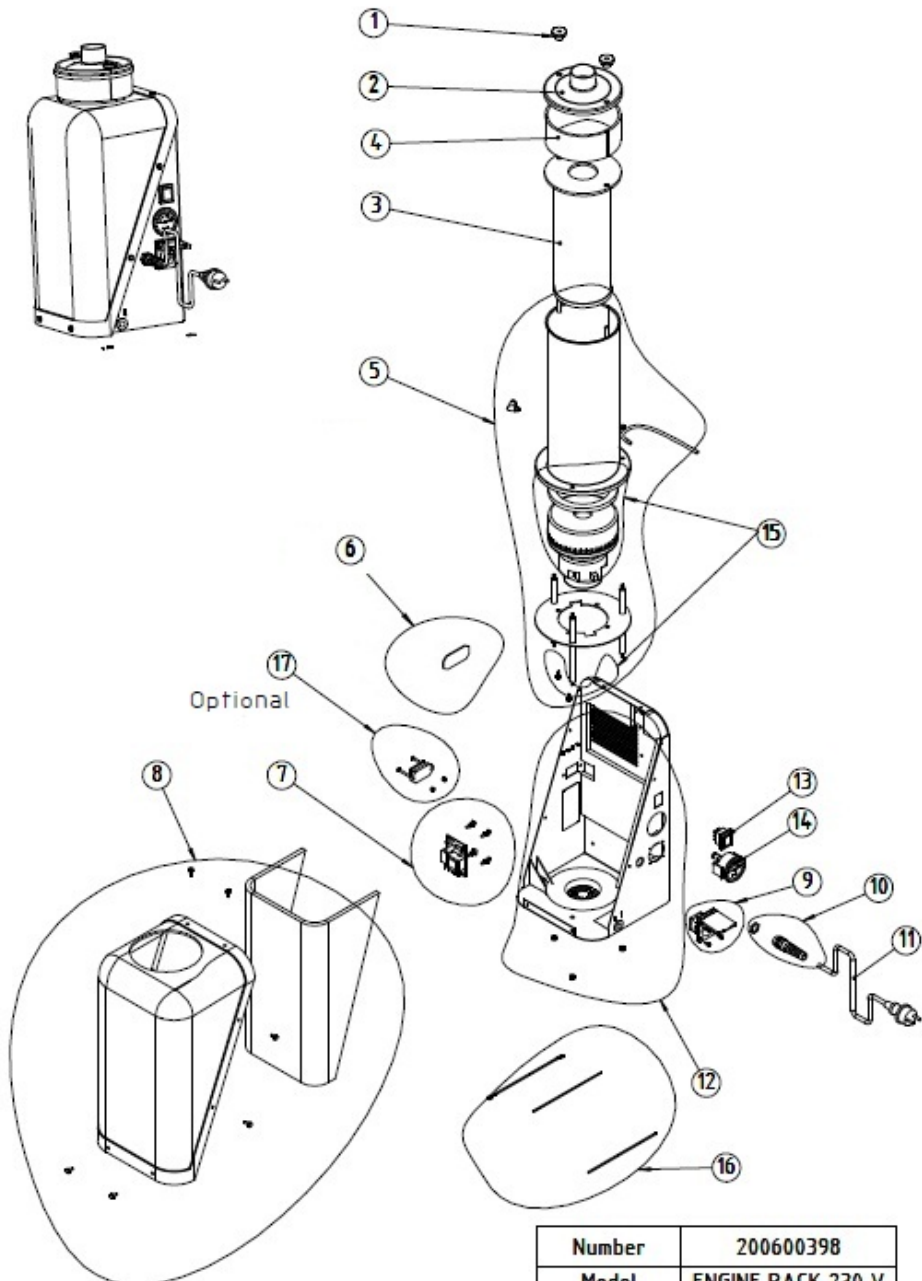
Number	200900249	200900249a
Model	S13 230v	S13 120V
Rev.	01	01

S13 230 V, S13 120V

POS.	QTY.	NUMBER	DESCRIPTION	
1	1	201000117	Top cover assembly	
2	1	201000118	Clean unit KIT	
3	1	201000016	FILTER	
4	1	201000119	TANK COMPLETE	
5	3	200600799	HOLDER KIT	
6	1	201000120	HANDLE KIT	
7	1	201000116	FLAP KIT	
8	1	1351145	ANTI-SKID	
9	1	1371001	BELT	
10	1	1276008	PLASTIC BAG	
11	2	200800152	FRONT WHEEL KIT	
12	2	200800151	REAR WHEEL KIT	
13	1	200600398	ENGINE PACK 230V	
14	1	201000122	CLIP HOLDER KIT	
15	1	201000123	HOSE KIT S13	
16	1	200800158	HOSE CLAMP PLASTIC 60-65MM	
17	1	1335011	HOSE END	
18	1	201000124	WAGON COMPLETE	
19	1	1345012	HANDLE	
20	1	200600398a	ENGINE PACK 120V	
21	1	201000115	LONGOPAC SET	

Number	200900249	200900249a
Model	S13 230V	S13 120V
Rev.	01	01

Engine pack. 230 V

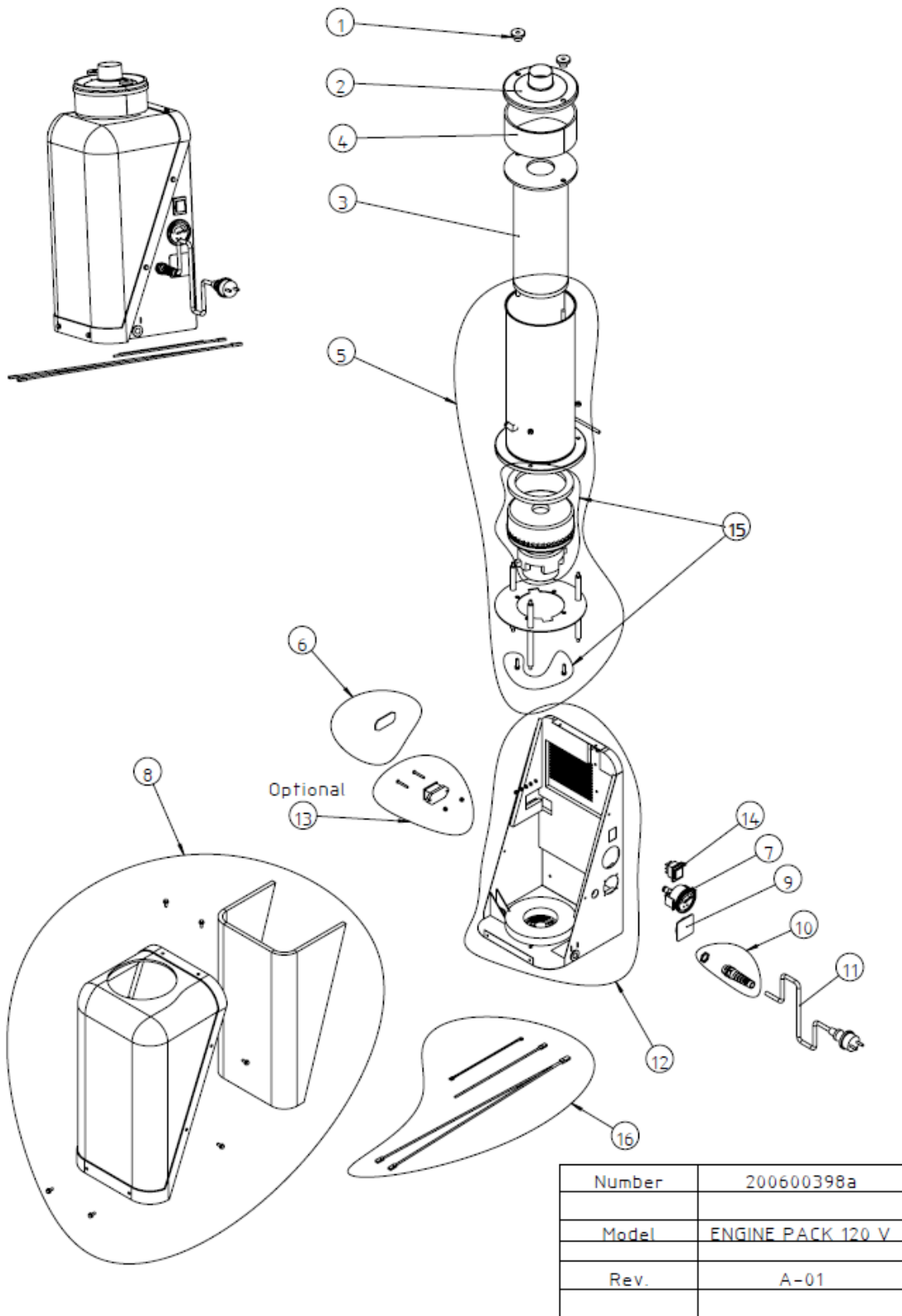


Engine pack. 230 V

POS.	QTY	NUMBER	DESCRIPTION	
1	2	200700289	LETTER NUT	
2	1	200700147	FILTER COVER	
3	1	200700070	MICRO FILTER	
4	1	200600080	SEALING	
5	1	200600084g	ENGINE TUBE	
6	1	201000148	COUNTER COVER	
7	1	200600532	PCBA SET	
8	1	200600482	ENGINE COVER, KIT	
9	1	1362191	ELECTRICAL OUTLET	
10	1	1362132	CABLE FIX	
11	1	1361023	CORD SET	
12	1	201000134	CHASSI, COMPLETE	
13	1	6362109	SWITCH	
14	1	200700413	MANOMETER KIT	
15	1	201000139	S13 230V MOTOR KIT	
16	1	200700396a	CABLE KIT	
17	1	201000133	COUNTER SET	

Number	200600398
Model	ENGINE PACK 230V
Rev.	01

Engine pack. 120 V

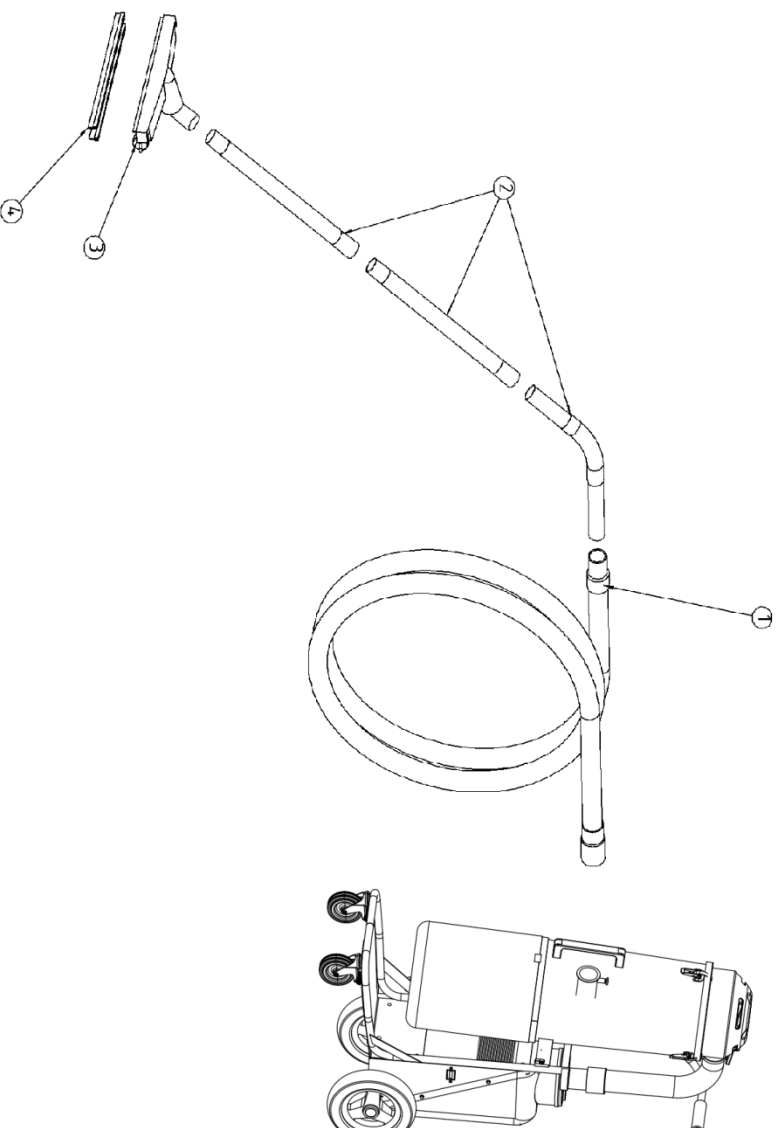


Engine pack. 120 V

POS.	QTY	NUMBER	DESCRIPTION	
1	2	200700299	LETTER NUT	
2	1	200700147	FILTER COVER	
3	1	200700070	MICRO FILTER	
4	1	200600090	SEALING	
5	1	200600094h	ENGINE TUBE	
6	1	201000149	COUNTER COVER	
7	1	200700413	MANOMETER KIT	
8	1	200600492	ENGINE COVER. KIT	
9	1	1370019	COVER	
10	1	1362194	CABLE FIX	
11	1	1361025	CORD SET	
12	1	201000134	CHASSI. COMPLETE	
13	1	201000133	COUNTER KIT	
14	1	6362109	SWITCH	
15	1	201000139	513 120V MOTOR KIT	
16	1	200700396	CABLE KIT	

Number	200600399a
Model	ENGINE PACK 120V
Rev.	01

Accessories S13 230 V, S13 120 V



POS.	QTY	NUMBER	DESCRIPTION
1	1	200900291	HOSE 39mm x 4m
2	1	6324034	KC004 SUCTION PIPE
3	1	1326054	GRD370 FLOOR TOOL
4	1	1340011	D370A RUBBER BLADES

