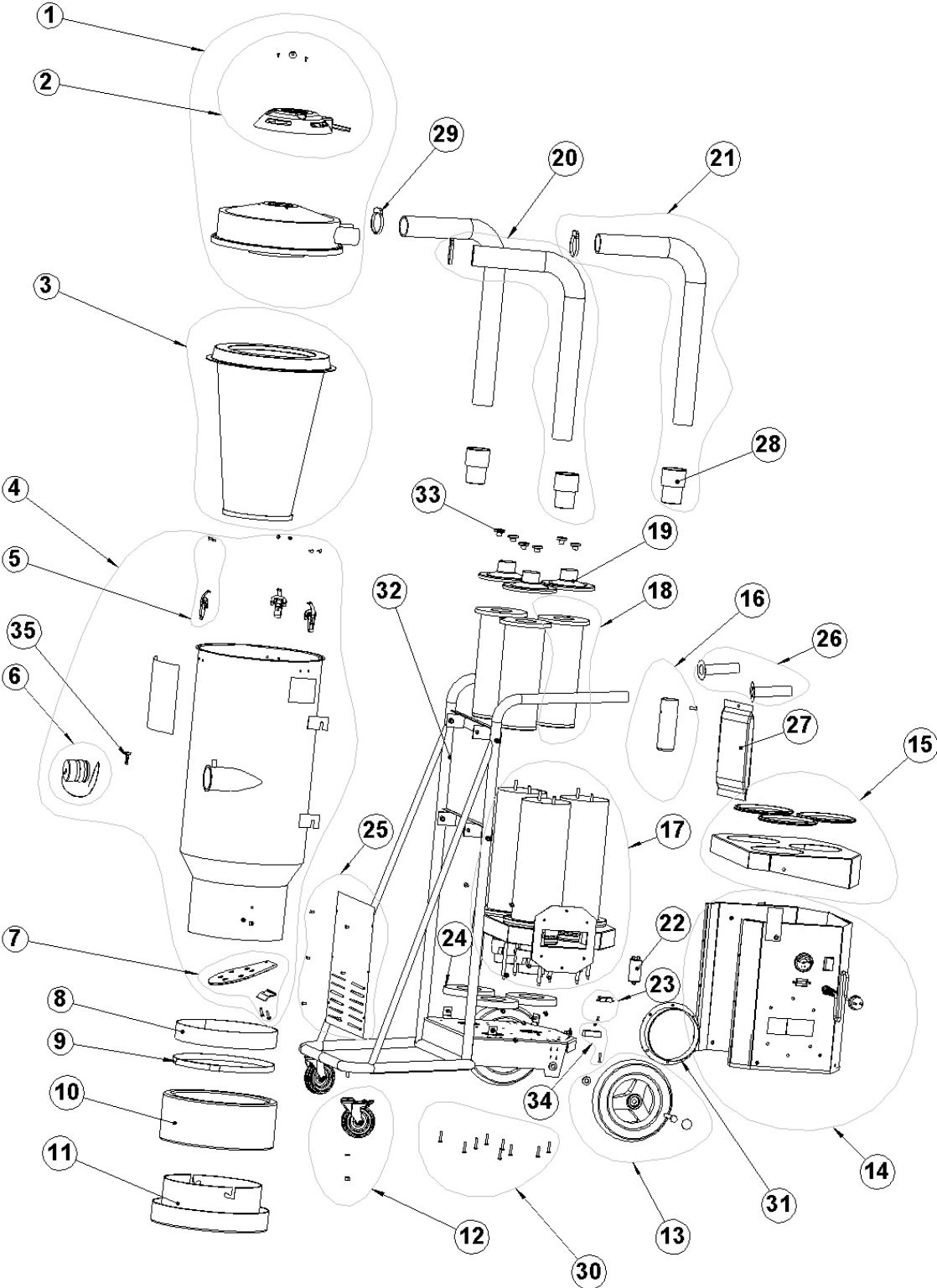


S36 230 V



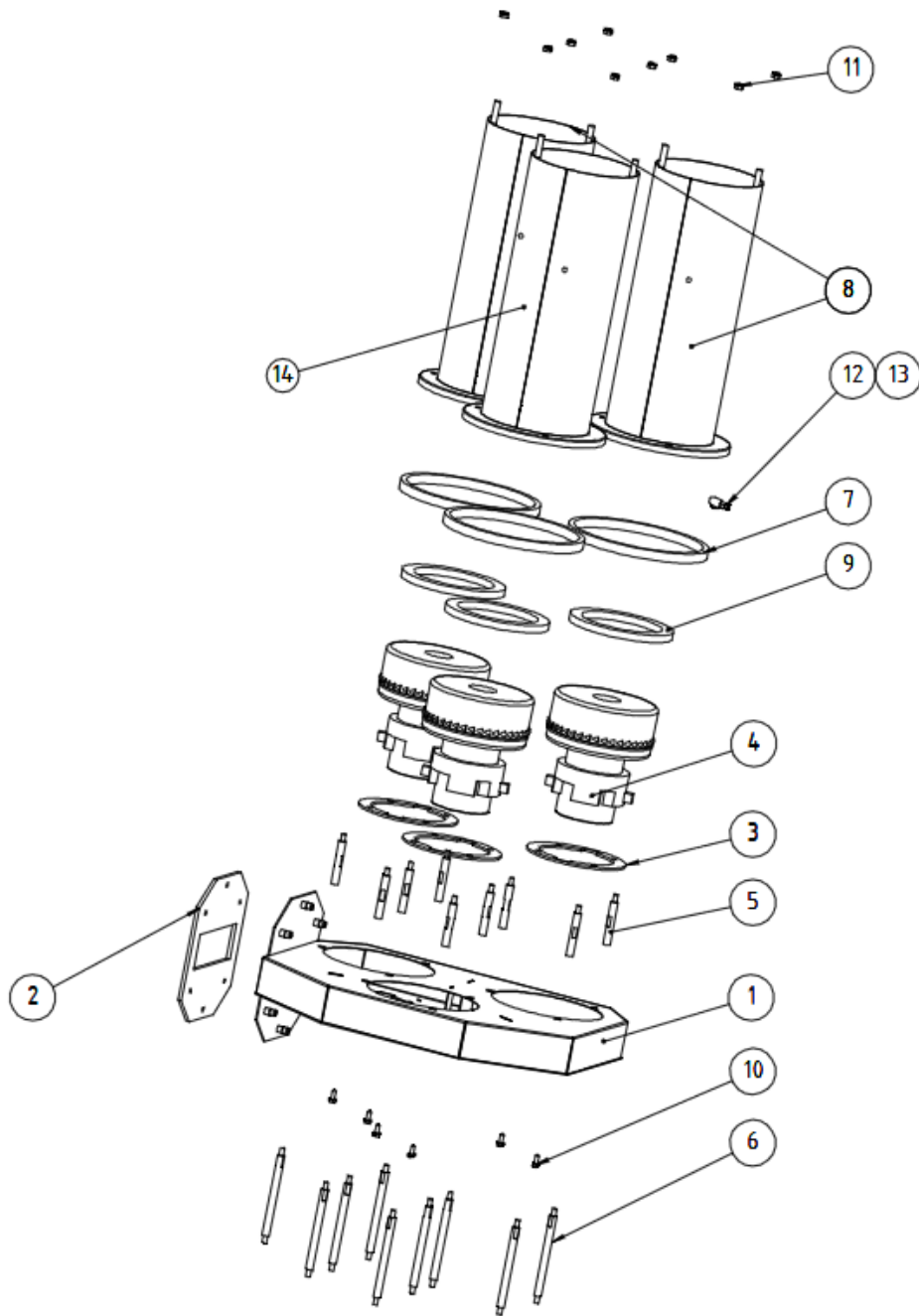
NUMBER	200900242	
MODEL	S36 230V	
REV.	01	

S36 230 V

POS.	QTY.	NUMBER	DESCRIPTION	
1	1	201000125	TOP COVER ASSEMBLY	
2	1	201000118	CLEAN UNIT KIT	
3	1	200900051	FILTER	
4	1	201000200	TANK COMPLETE	
5	3	200600799	HOLDER KIT	
6	1	201000215	END PLUG COMPLETE KIT	
7	1	201000116	FLAP KIT	
8	1	1351145	ANTI-SKID	
9	1	1371001	BELT	
10	1	1376013	LONGOPAC BAG	
11	1	200600536a	LONGPAC HOLDER	
12	2	200800152	FRONT WHEEL KIT	
13	2	200800151	REAR WHEEL KIT	
14	1	200900261	MOTOR COVER ASSEMBLY	
15	1	201000201	TOP MOTOR COVER ASSEMBLY	
16	1	201000122	CLIP HOLDER KIT	
17	1	201000171	MOTOR BOX ASSEMBLY	
18	3	200700070	HEPA-FILTER, S-LINE	
19	3	201000202	MOTOR TUBE COVER KIT	
20	2	201000203	MIDDLE HOSE KIT OF S36	
21	1	201000204	HOSE KIT OF S36	
22	1	1362165	FP250 ELECTRICAL FILTER	
23	1	200700410	SOFT START 230V KIT	
24	3	200600086	INSULATION	
25	1	201000205	PLATE COVER KIT OF MOTOR COVER	
25	1	201000206	HANDLE KIT	
27	1	95102	CLIPS	
28	3	1335011	HOSE END	
29	3	200800158	HOSE CLAMP PLASTIC 60-65MM	
30	1	201000207	SCREW AND NUT SET OF S36	
31	1	201000208	160MM EXHAUST AIR OUTLET	
32	1	201000209	WAGON ASSEMBLY	
33	6	200700289	LETTER NUT	
34	1	201000210	CONNECTION BRIDGE KIT	
35	1	200700045	LOCKING DEVICE	

NUMBER	200900242	
MODEL	S36 230V	
REV.	01	

Motor Box Assembly 230 V



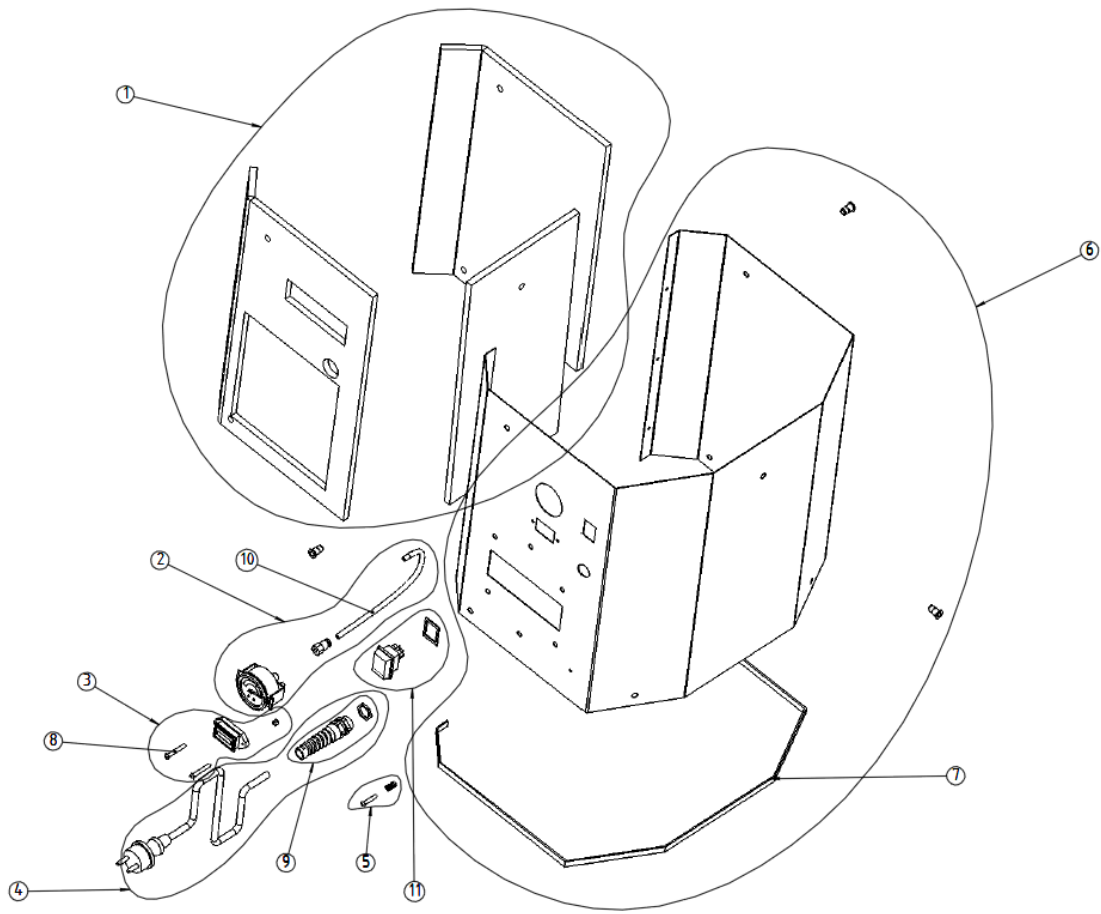
NUMBER	201000171	
MODEL	MOTOR BOX ASSEMBLY	
REV.	01	

Motor Box Assembly 230 V

POS.	QTY.	NUMBER	DESCRIPTION	
1	1	200900218	Motor box of S36	
2	1	200900207	Seal of motor box	
3	3	201000131	SEALING	
4	3	200700385	ENGINE LAMB 230V BL2 1104RP	
5	9	200900012a	Up support pin of motor box	
6	9	200900012	STUD for lower support pin	
7	3	201000132	TOP MOTOR SEALING	
8	2	200600075	Filter Housing	
9	3	200700169	SEALING	
10	6	1360225	HB4,8x19	
11	9	1360086	LM6 DIN 985 FZB LOCKING NUT	
12	1	1349118	Nipple, Angle	
13	1	1360050	ML6M5 A2, Low hexagonal nut	
14	1	200600075c	Filter Housing with Nipple hole	

Number	201000171
Model	MOTOR BOX ASSEMBLY
Rev.	01

Motor Cover Assembly 230v



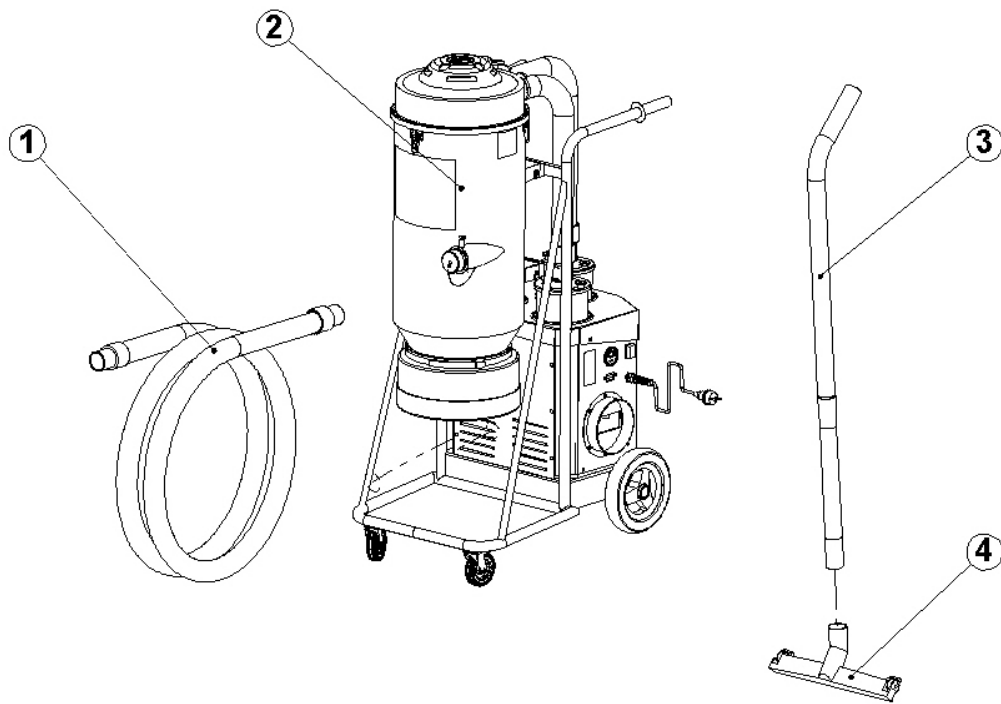
Number	200900261
Model	MOTOR COVER 230V
Rev.	01

Motor Cover Assembly 230v

POS.	QTY.	NUMBER	DESCRIPTION	
1	1	200900260	AC FOAM	
2	1	200700431	MANOMETER KIT	
3	1	201000133	COUNTER SET	
4	1	1361025	CORD SET	
5	1	201000211	GROUNDING SCREW KIT	
6	1	201000212	MOTOR COVER	
7	1	9642	SEALING	
8	2	201000213	SCREW SET OF COUNTER	
9	1	1362148	CABLE FIX KIT	
10	1	1333017	HOSE	
11	1	201000214	STARTBUTTON SET	

Number	200900261
Model	MOTOR COVER 230V
Rev.	01

Accessories S36 230 V



POS.	QTY	NUMBER	DESCRIPTION	
1	1	201000128	HOSE 63mm x 10m	
2	1	200900242	KC004 SUCTION PIPE	Slang 50 mm komplett
3	1	1224035	505 Steel tube Kit (2pc) dia 50	
4	1	1326087	5450 Floor Tool 50mmX 450mm	