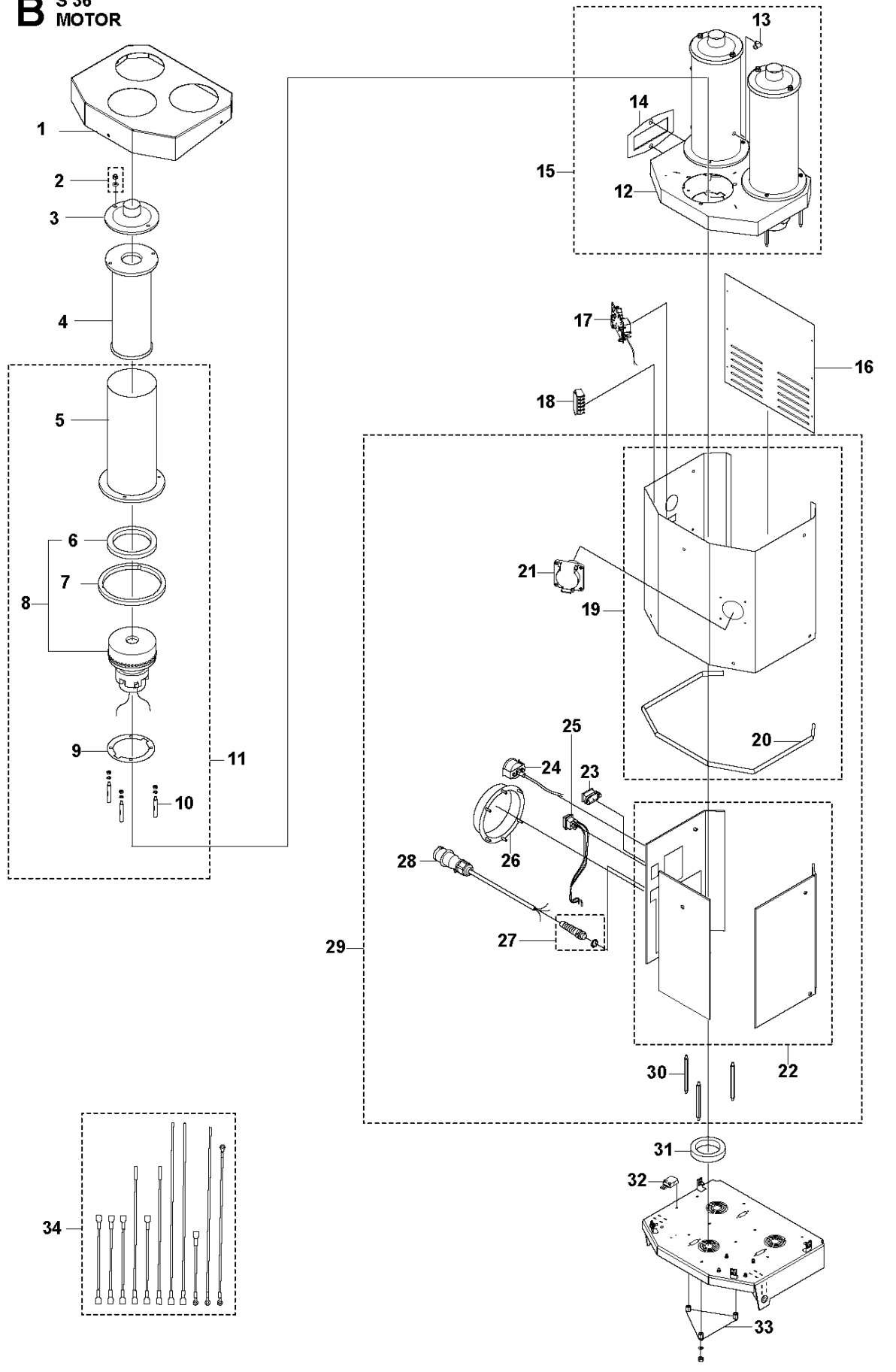


TANK S 36, 967715301, 967718001, 967720101, 967720201, 967753501, 967753801, 2019-06

Ref	Part No	Description	Remark	QTY	KIT
1	590 47 86-01	TANK CAP ASSY		1	
2	590 41 50-01	VALVE		1	1
3	590 44 89-01	HOSE KIT		1	
4	590 44 88-01	HOSE KIT		2	
5	590 40 08-01	HOSE CLAMP		1	4
6	590 43 81-01	HOSE		1	4
7	590 44 85-01	FILTER		1	
8	590 47 85-01	TANK		1	
9	590 39 64-01	HOLDER KIT		3	8
10	590 40 16-01	LOCKING PIN		1	8
11	590 42 67-01	LID		1	8
12	590 39 86-01	FLAP		1	8
13	590 40 23-01	SEAL		1	8
14	590 40 18-01	STRAP		1	8
15	590 42 92-01	BAG		1	8
16	590 42 69-01	HOLDER		1	8

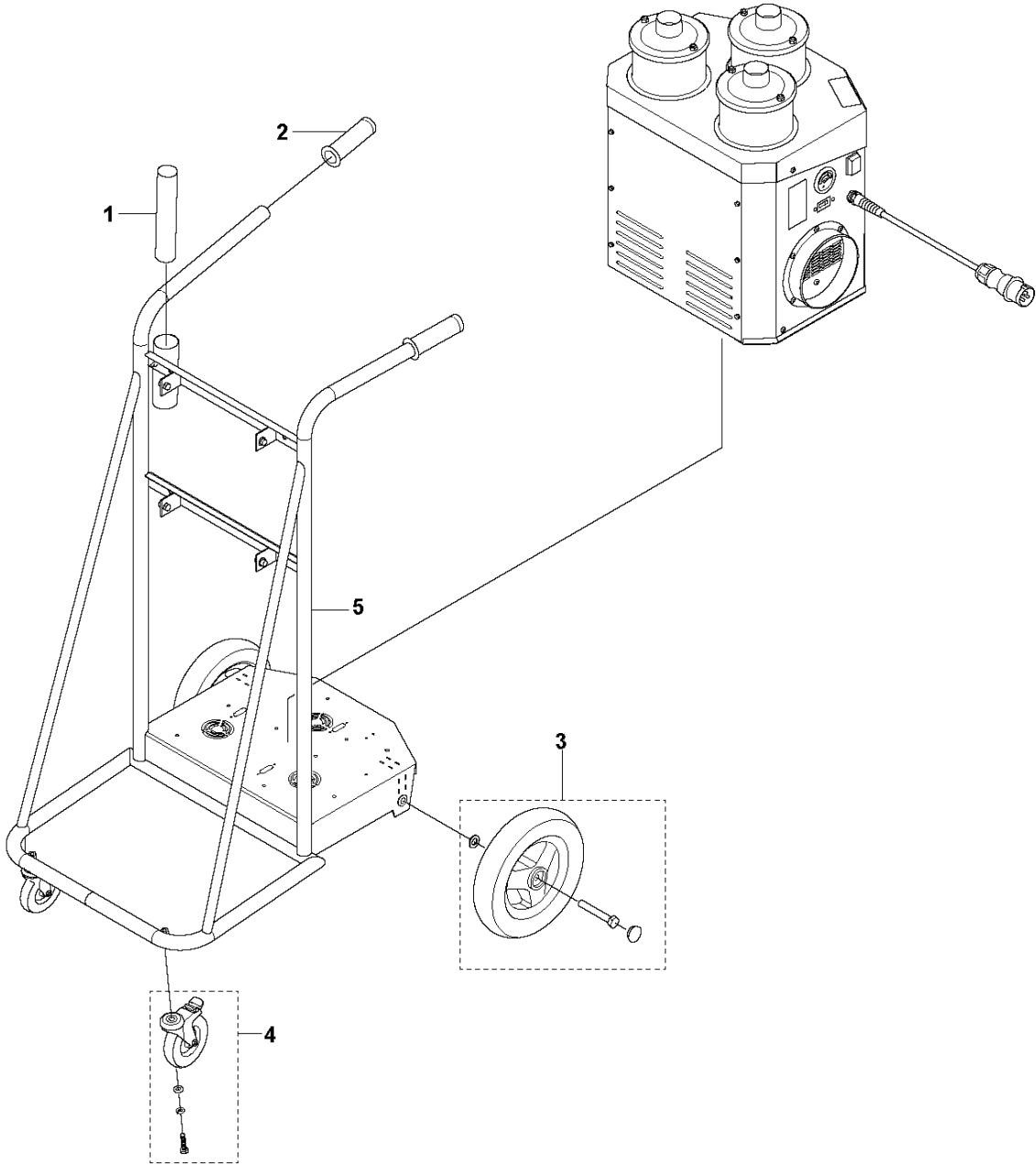
B S 36
MOTOR



MOTOR S 36, 967715301, 967718001, 967720101, 967720201, 967753501, 967753801, 2019-06

Ref	Part No	Description	Remark	QTY KIT	
1	590 44 87-01	COVER LID		1	
2	590 40 07-01	NUT		6	
3	590 39 89-01	FILTER COVER		3	
4	590 42 98-01	FILTER		3	
5	591 85 68-01	PIPE	Incl nipple	1	
5	590 45 14-01	FILTER HOUSING		2	11
6	591 90 09-01	PACKING		3	11
7	590 45 08-01	SEALING		3	11
8	593 04 23-01	ENGINE	120 V	3	
8	590 39 69-01	MOTOR KIT	230 V	3	11
9	590 45 11-01	SEAL KIT		3	11
10	590 45 12-01	SUPPORT KIT		1	11
11	590 42 70-01	MOTOR	230 V	1	
11	590 41 55-01	MOTOR	230 V, Incl nipple	1	
11	590 42 71-01	MOTOR	120 V	1	
11	590 41 57-01	MOTOR	120 V, Incl nipple	1	
12	590 45 09-01	BOX		1	15
13	590 44 86-01	NIPPLE		1	15
14	590 45 10-01	SEALING		1	15
15	590 45 07-01	MOTOR KIT	230 V	1	
16	590 44 90-01	COVER PLATE		1	
17	590 45 17-01	CIRCUIT BOARD		1	
18	590 44 95-01	CONNECTION PIECE		1	
19	590 45 20-01	MOTOR COVER		1	29
19	590 44 97-01	MOTOR COVER		1	29
20	590 45 21-01	SEALING		1	29
21	591 79 20-01	SOCKET	230 V (EU)	1	29
21	597 15 17-01	SOCKET	230 V (AUS)	1	29
22	590 45 21-01	SEALING	230 V (EU/AUS)	1	29
22	590 45 06-01	SEALING	230 V 50A (US)	1	29
23	590 41 53-01	HOUR METER		1	29
24	590 39 67-01	MANOMETER		1	29
25	590 40 26-01	SWITCH		1	29
26	590 44 93-01	EXHAUST DUCT		1	29
27	590 45 18-01	GROMMET	230 V	1	29
27	590 40 25-01	CABLE GROMMET	120 V	1	29
28	590 45 01-01	CABLE ASSY	230V/30A	1	29
28	590 45 02-01	CABLE ASSY	230V/50A	1	29
29	590 47 88-01	MOTOR COVER	230V/30A	1	29
29	590 47 87-01	MOTOR COVER	230V/50A	1	29
29	590 44 97-01	MOTOR COVER	120 V	1	
30	590 45 13-01	SUPPORT KIT		1	29
31	590 44 90-01	COVER PLATE		3	
32	590 42 62-01	ELECTRIC BOX		1	
33	590 47 68-01	COVER LID		3	
34	596 96 94-01	DIAGRAM	230 V (EU/AUS)	1	
34	596 96 94-02	DIAGRAM	230 V 50A (US)	1	

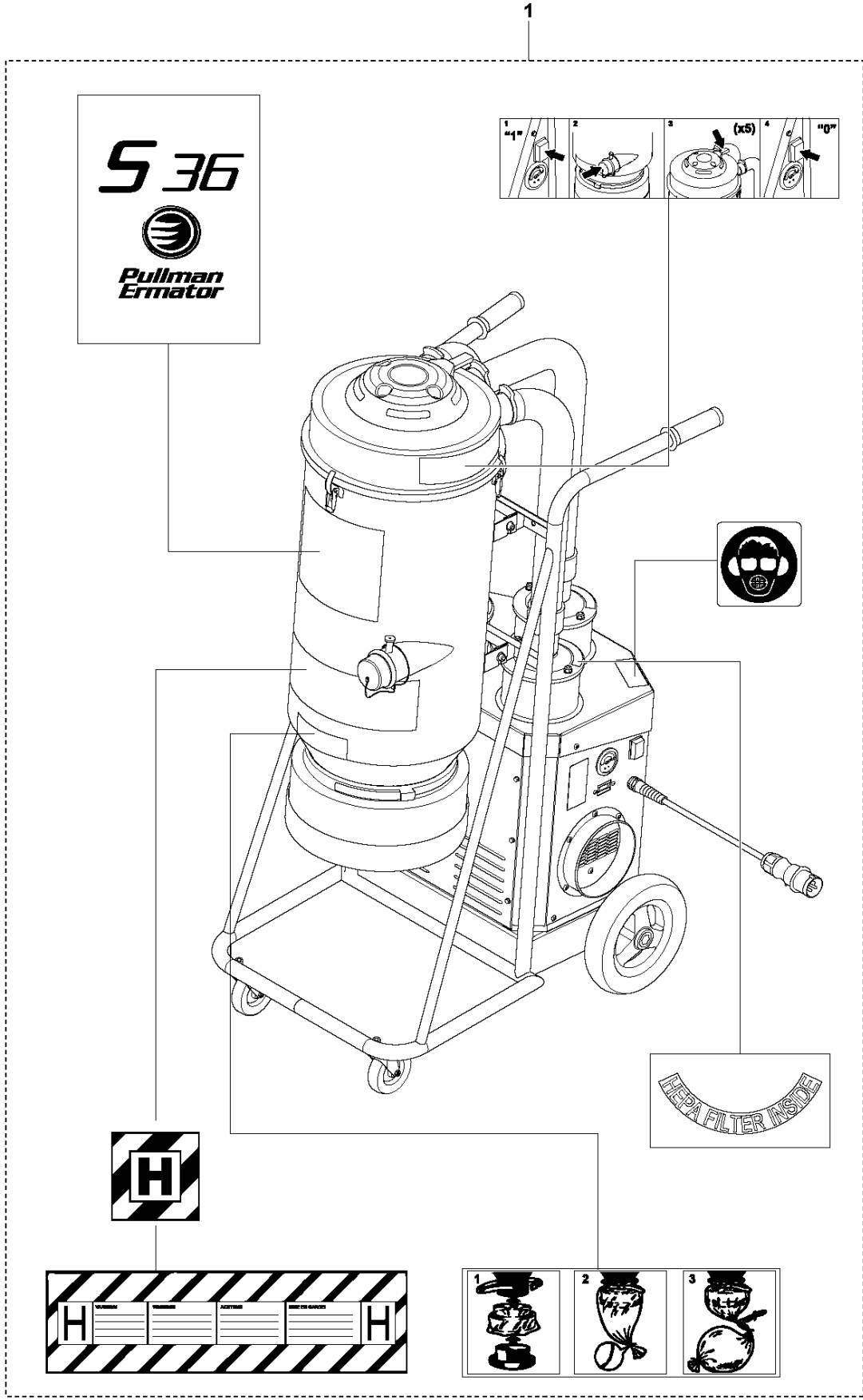
C S 36
FRAME



FRAME S 36, 967715301, 967718001, 967720101, 967720201, 967753501, 967753801, 2019-06

Ref	Part No	Description	Remark	QTY KIT
1	590 42 60-01	CLIP		1
2	596 31 67-01	HANDLE		2
3	590 39 70-01	REAR WHEEL		2
4	590 39 72-01	WHEEL KIT		2
5	590 44 94-01	FRAME		1

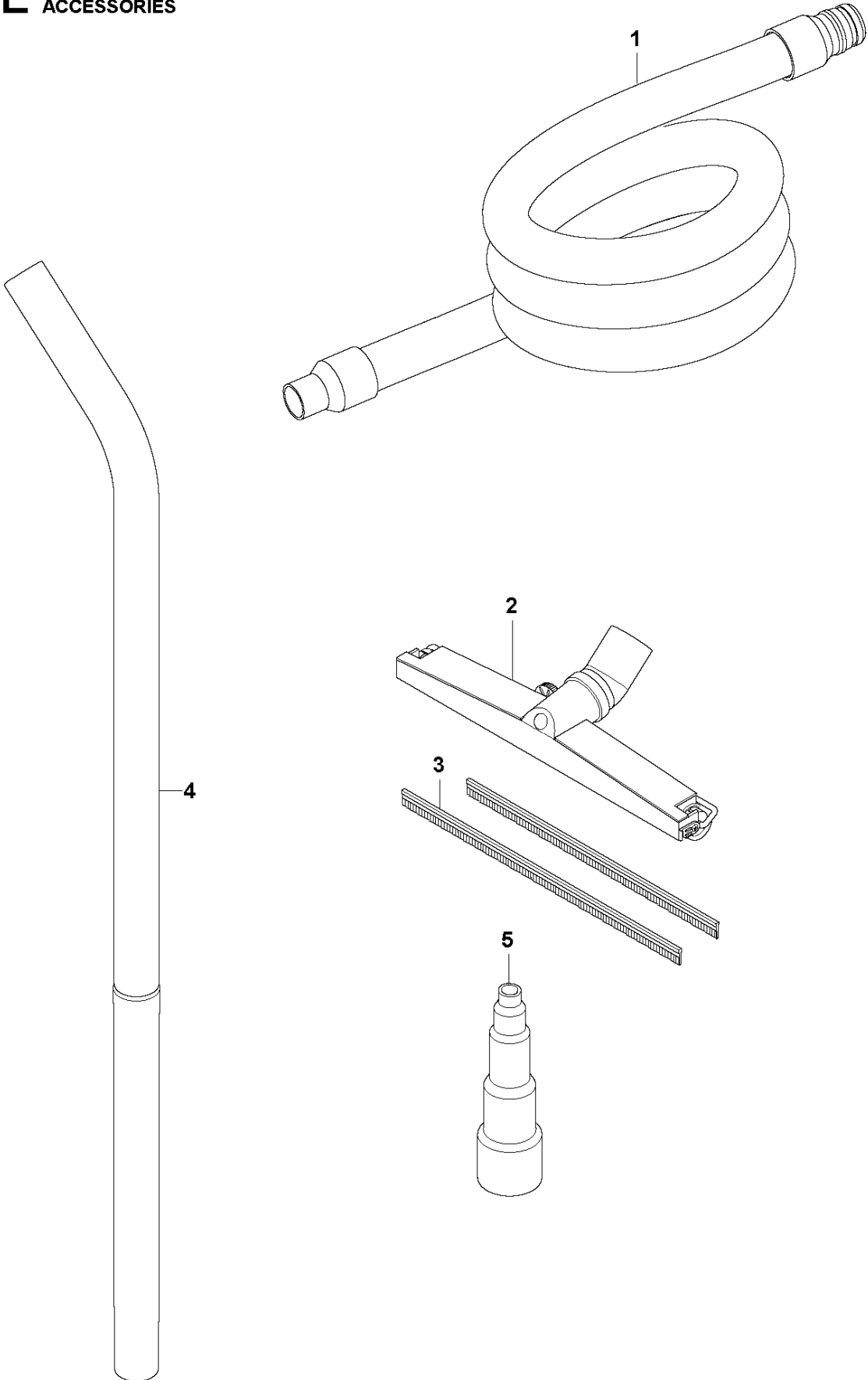
D S 36
DECALS



DECALS S 36, 967715301, 967718001, 967720101, 967720201, 967753501, 967753801, 2019-06

Ref	Part No	Description	Remark	QTY KIT
1	597 74 11-03	DECAL KIT		1

E S 36
ACCESSORIES



ACCESSORIES S 36, 967715301, 967718001, 967720101, 967720201, 967753501, 967753801,
2019-06

Ref	Part No	Description	Remark	QTY KIT
1	590 43 73-01	HOSE		1
1	590 43 74-01	HOSE		1
2	590 42 83-02	TOOL		1
3	590 42 85-03	TOOL		1
4	590 82 94-01	TOOL		1
5	594 95 68-01	ADAPTER		1