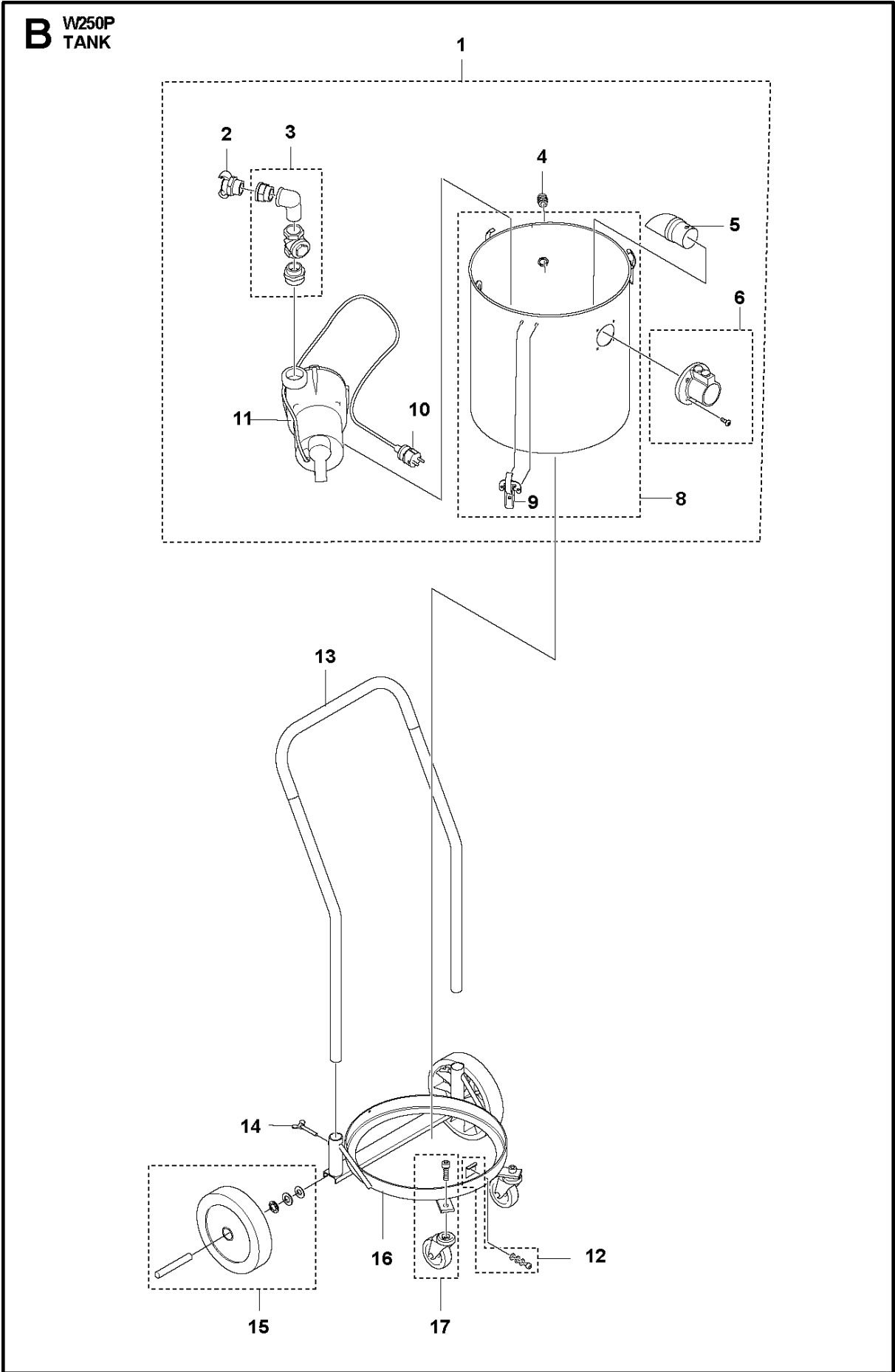


MOTOR

W250P, 2019-09

Ref	Part No	Description	Remark	QTY KIT
1	590 47 05-01	HANDLE KIT		1
2	591 71 69-01	CYLINDER HEAD		1
3	591 75 09-01	SPACER		2
4	590 39 63-01	ELECTRICAL SYSTEM		1
4	593 87 59-01	SOCKET	AUS ONLY	1
5	591 53 72-01	BUTTON		2
6	593 71 74-03	POWER CORD	EU	1
6	593 71 74-01	POWER CORD	AUS	1
6	593 71 74-04	POWER CORD	UK	1
6	593 71 74-08	POWER CORD	US	1
7	591 80 01-01	CABLE GROMMET		1
8	590 49 87-01	HOUSING ASSY		1
9	591 73 05-01	INSULATION		1
10	591 79 43-01	FILTER		1
11	591 71 71-01	HOUSING		1
12	590 47 04-01	SEAL KIT		1
13	590 47 19-01	MOTOR KIT	120V	1
13	591 90 65-01	ENGINE	230V	1
14	591 73 37-01	PACKING		1
15	591 73 15-01	PACKING		2
16	590 46 98-01	INSULATION		1
17	590 47 03-01	SPACER		1
18	591 73 14-01	INSULATION		1
19	591 78 96-01	NUT	NUT PG11	1
20	591 77 06-01	SCREW		4
21	590 47 02-01	TANK CAP		1
22	591 60 64-01	FLOAT		1
23	591 66 59-01	SEPARATOR		1

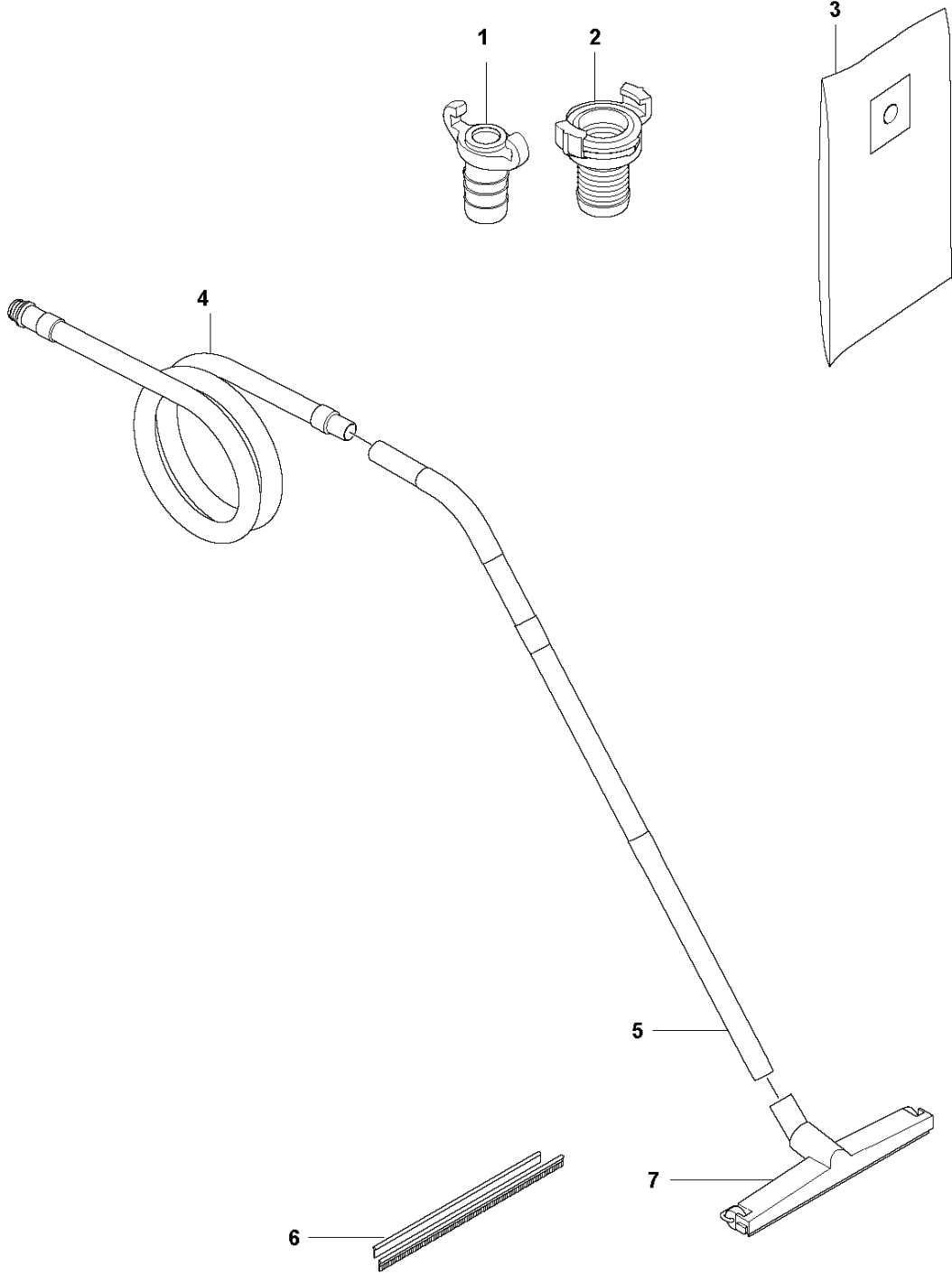


TANK

W250P, 2019-09

Ref	Part No	Description	Remark	QTY KIT
1	598560901	TBD		1
2	591 70 98-01	HOSE COUPLING	GEKA	1
2	591 71 25-01	HOSE COUPLING	ATLAS	1
3	598561001	TBD		1
4	591 91 02-01	SCREW		1
5	593 22 02-01	RING		1
6	590 46 95-01	INLET		1
8	598561101	TBD		1
9	590 39 64-01	HOLDER KIT		3
10	591 79 02-01	PLUG		1
10	593 87 60-01	PLUG	AUS ONLY	1
11	591 70 34-01	PUMP	EU, 230V	1
11	591 27 53-01	PUMP	US, 120V	1
11	593951501	TBD	UK, 120V	1
12	591 91 06-01	LOCK		1
13	591 69 26-01	HANDLE ASSY		1
14	591 76 88-01	SCREW		2
15	591 91 04-01	WHEEL		1
16	591 69 55-01	CHASSIS		1
17	591 91 05-01	WHEEL		1

C W250P
ACCESSORIES

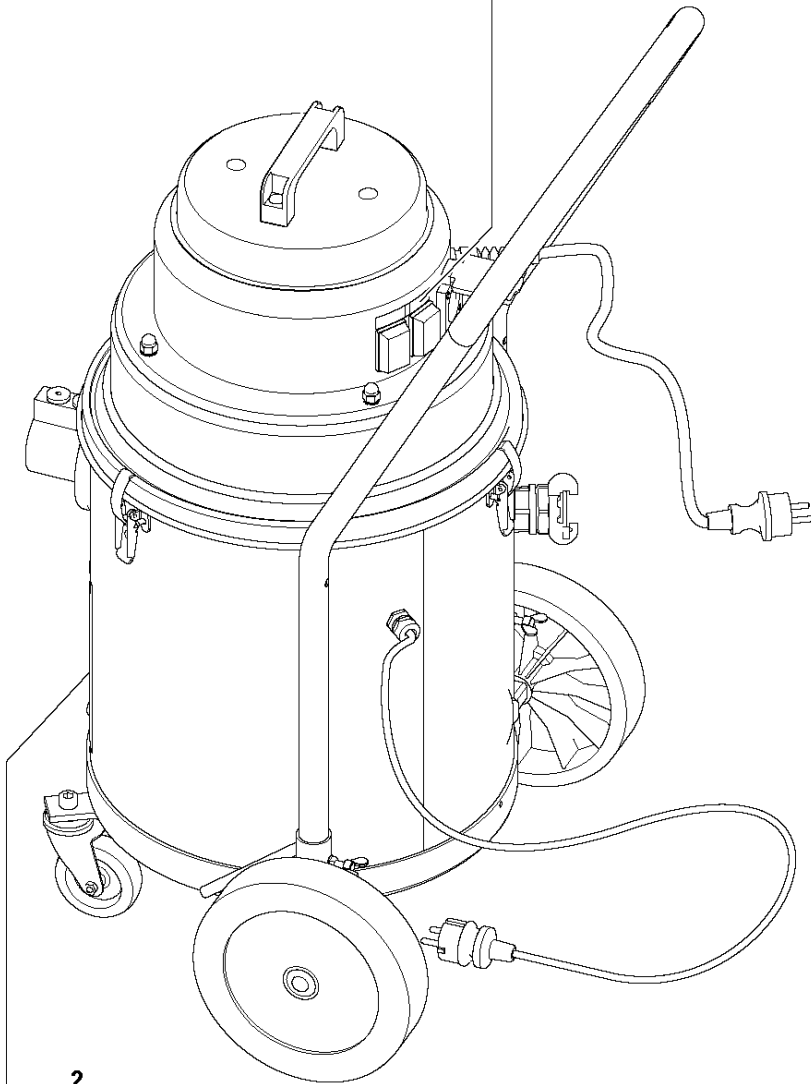
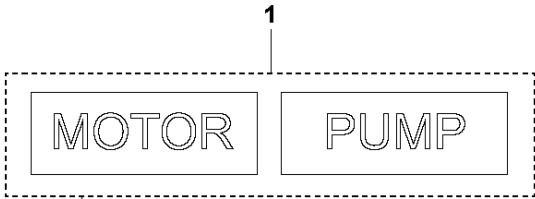


ACCESSORIES

W250P, 2019-09

Ref	Part No	Description	Remark	QTY KIT
1	591 71 24-01	COUPLING		1
2	591 70 96-01	COUPLING		1
3	594 93 36-01	BAG	Order in mutiple of 5	1
3	594 93 32-01	BAG	Order in mutiple of 5	1
4	590 42 79-01	HOSE KIT		1
5	590 42 86-01	TOOL		1
6	590 42 85-01	TOOL		1
7	591 99 27-01	NOZZLE		1

D W250P
DECALS



DECALS

W250P, 2019-09

Ref	Part No	Description	Remark	QTY KIT
1	592 00 20-01	DECAL		1
2	591 80 50-01	DECAL		1