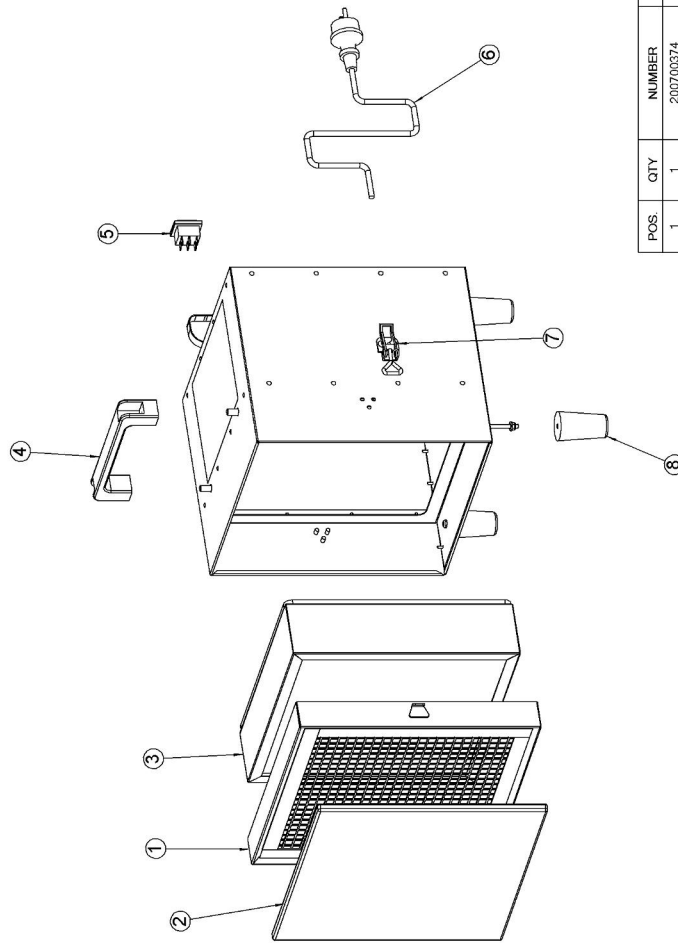


# A300



POS.	QTY	NUMBER	BENÄMNING	DESCRIPTION
1	1	200700374	FRONTRAM	FRAME
2	1	200600376	GROVFILTER	FILTERPADS
3	1	8337024	FILTER HT3	FILTER HT3
4	1	1345011	HADTAG	HANDLE
5	1	6362109	KNAPP	SWITCH
6	1	3381017	SLADDSTÄLL	CORD SET
7	2	200700372	EXCENTERLÅS SATS	TOGGLE FASTENER KIT
8	4	8370005	FOOT	FOOT