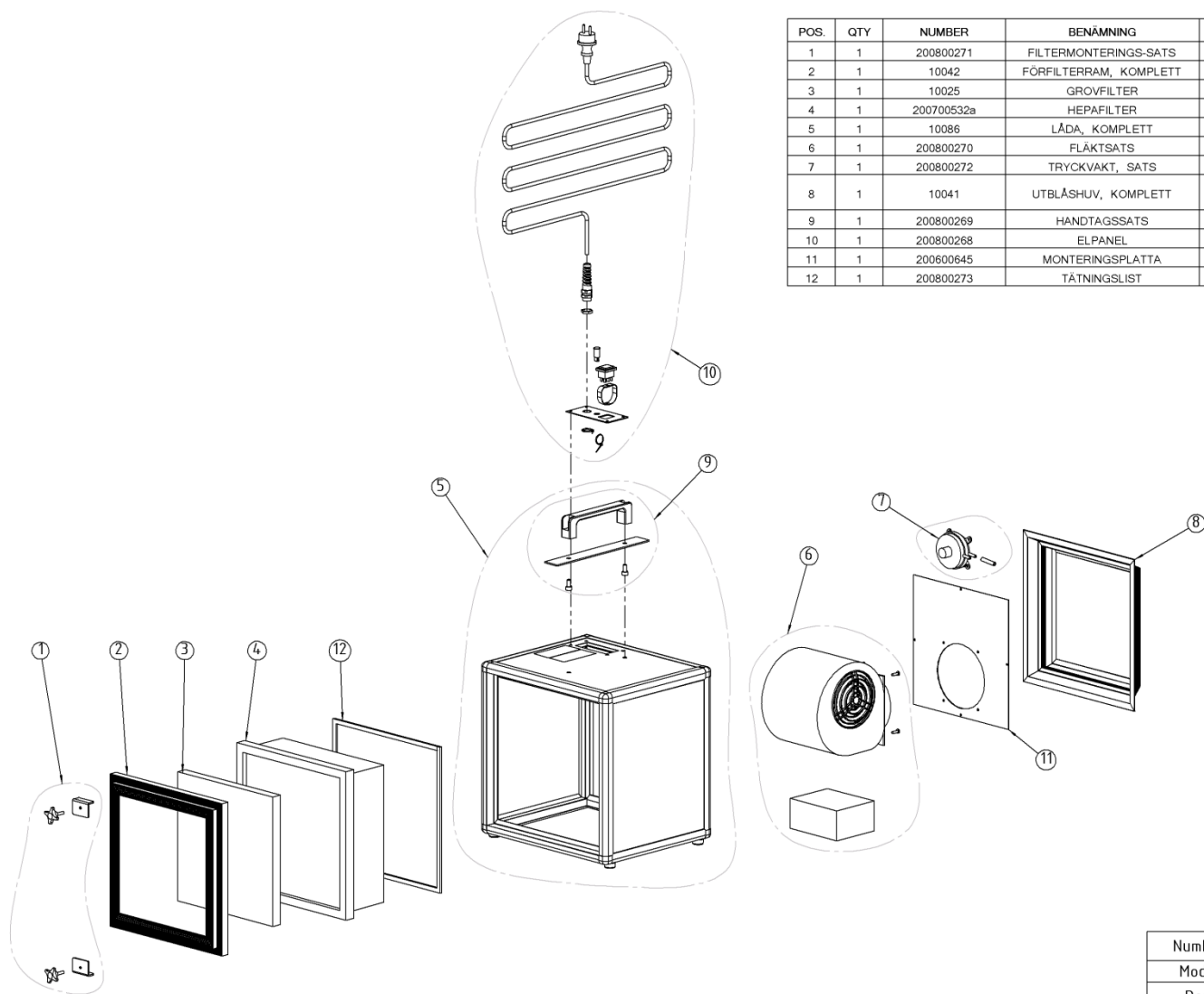


A700



POS.	QTY	NUMBER	BENÄMNING	DESCRIPTION
1	1	200800271	FILTERMONTERINGS-SATS	FILTER MOUNTING KIT
2	1	10042	FÖRFILTERRAM, KOMPLETT	PREFILTER FRAME, COMPLETE
3	1	10025	GROVFILTER	PREFILTER
4	1	200700532a	HEPAFILTER	HEPA-FILTER
5	1	10086	LÅDA, KOMPLETT	HOUSING, COMPLETE
6	1	200800270	FLÅKTSATS	FAN KIT
7	1	200800272	TRYCKVAKT, SATS	PRESSURE GUARD, KIT
8	1	10041	UTBLÅSHUV, KOMPLETT	AIR EVACUATION HOOD, COMPLETE
9	1	200800269	HANDTAGSSATS	HANDLE KIT
10	1	200800268	ELPANEL	ELECTRICAL PANEL
11	1	200600645	MONTERINGSPLATTA	MOUNTING PLATE
12	1	200800273	TÄTNINGSLIST	SEALING

Number	200600644
Model	A700
Rev.	00