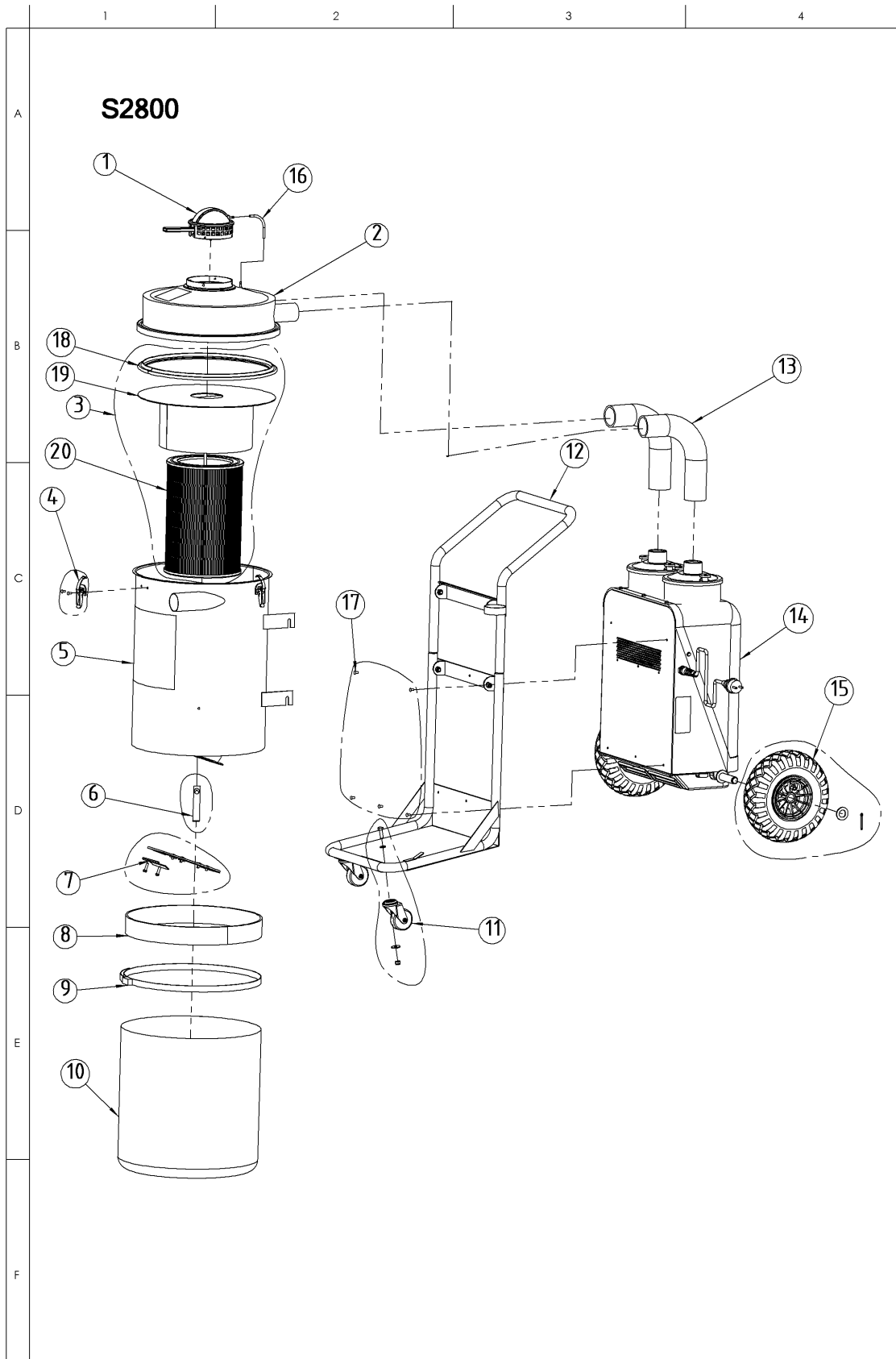


# S2800 230V

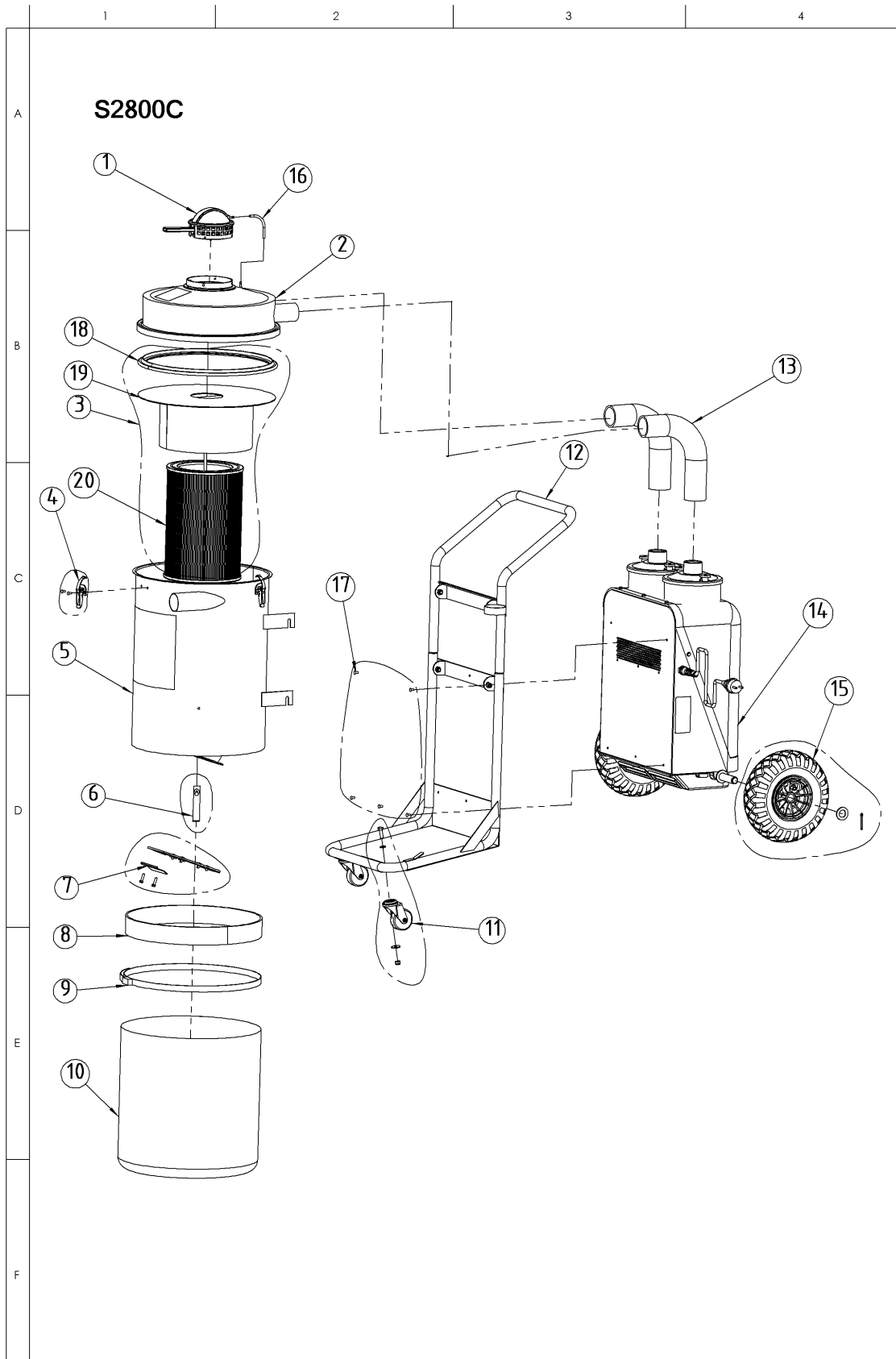


# S2800 230V

1	2	3	4																																																																																																										
A																																																																																																													
B	<b>S2800</b>																																																																																																												
C	<table border="1"><thead><tr><th>POS.</th><th>QTY</th><th>NUMBER</th><th>BENÄMNING</th><th>DESCRIPTION</th></tr></thead><tbody><tr><td>1</td><td>1</td><td>200600127</td><td>RENSENHET</td><td>CLEAN UNIT</td></tr><tr><td>2</td><td>1</td><td>200600812</td><td>TANKTOPP KOMPLETT</td><td>TOP COVER COMPLETE</td></tr><tr><td>3</td><td>1</td><td>200600804</td><td>FILTERPAKET</td><td>FILTER PACKAGE</td></tr><tr><td>4</td><td>3</td><td>200600799</td><td>SPÄNNE SATS</td><td>HOLDER KIT</td></tr><tr><td>5</td><td>1</td><td>200700052</td><td>TANK KOMPLETT</td><td>TANK COMPLETE</td></tr><tr><td>6</td><td>3</td><td>200700188</td><td>REMHÅLLARSATS</td><td>BELT HOLDER KIT</td></tr><tr><td>7</td><td>1</td><td>200700189</td><td>LUCKA SATS</td><td>FLAP KIT</td></tr><tr><td>8</td><td>1</td><td>1361163</td><td>GLIDSKYDD</td><td>ANTI-SKID</td></tr><tr><td>9</td><td>1</td><td>1371001</td><td>REM MED SPÄNNE</td><td>BELT</td></tr><tr><td>10</td><td>1</td><td>1376004</td><td>PLASTPÅSE</td><td>PLASTIC BAG</td></tr><tr><td>11</td><td>2</td><td>200600797</td><td>LÄNKHJULSSATS</td><td>SWIVEL WHEEL KIT</td></tr><tr><td>12</td><td>1</td><td>200600037</td><td>VAGN</td><td>WAGON</td></tr><tr><td>13</td><td>2</td><td>1332036</td><td>SLANG, S51</td><td>HOSE, S51</td></tr><tr><td>14</td><td>1</td><td>200600539</td><td>MOTORPAKET 230V</td><td>ENGINE PACK 230V</td></tr><tr><td>15</td><td>2</td><td>200600818</td><td>HJULSATS</td><td>WHEEL KIT</td></tr><tr><td>16</td><td>1</td><td>1333017</td><td>NYLONSLANG, D=4 mm</td><td>NYLON HOSE, D=4 mm</td></tr><tr><td>17</td><td>1</td><td>200700191</td><td>NITSATS, STAVEX</td><td>RIVET KIT, STAVEX</td></tr><tr><td>18</td><td>1</td><td>1351197</td><td>TÄTNING</td><td>SEAL</td></tr><tr><td>19</td><td>1</td><td>200600801</td><td>FILTERHÅLLARE</td><td>FILTER HOLDER</td></tr><tr><td>20</td><td>1</td><td>1337043</td><td>FILTER</td><td>FILTER</td></tr></tbody></table>				POS.	QTY	NUMBER	BENÄMNING	DESCRIPTION	1	1	200600127	RENSENHET	CLEAN UNIT	2	1	200600812	TANKTOPP KOMPLETT	TOP COVER COMPLETE	3	1	200600804	FILTERPAKET	FILTER PACKAGE	4	3	200600799	SPÄNNE SATS	HOLDER KIT	5	1	200700052	TANK KOMPLETT	TANK COMPLETE	6	3	200700188	REMHÅLLARSATS	BELT HOLDER KIT	7	1	200700189	LUCKA SATS	FLAP KIT	8	1	1361163	GLIDSKYDD	ANTI-SKID	9	1	1371001	REM MED SPÄNNE	BELT	10	1	1376004	PLASTPÅSE	PLASTIC BAG	11	2	200600797	LÄNKHJULSSATS	SWIVEL WHEEL KIT	12	1	200600037	VAGN	WAGON	13	2	1332036	SLANG, S51	HOSE, S51	14	1	200600539	MOTORPAKET 230V	ENGINE PACK 230V	15	2	200600818	HJULSATS	WHEEL KIT	16	1	1333017	NYLONSLANG, D=4 mm	NYLON HOSE, D=4 mm	17	1	200700191	NITSATS, STAVEX	RIVET KIT, STAVEX	18	1	1351197	TÄTNING	SEAL	19	1	200600801	FILTERHÅLLARE	FILTER HOLDER	20	1	1337043	FILTER	FILTER
POS.	QTY	NUMBER	BENÄMNING	DESCRIPTION																																																																																																									
1	1	200600127	RENSENHET	CLEAN UNIT																																																																																																									
2	1	200600812	TANKTOPP KOMPLETT	TOP COVER COMPLETE																																																																																																									
3	1	200600804	FILTERPAKET	FILTER PACKAGE																																																																																																									
4	3	200600799	SPÄNNE SATS	HOLDER KIT																																																																																																									
5	1	200700052	TANK KOMPLETT	TANK COMPLETE																																																																																																									
6	3	200700188	REMHÅLLARSATS	BELT HOLDER KIT																																																																																																									
7	1	200700189	LUCKA SATS	FLAP KIT																																																																																																									
8	1	1361163	GLIDSKYDD	ANTI-SKID																																																																																																									
9	1	1371001	REM MED SPÄNNE	BELT																																																																																																									
10	1	1376004	PLASTPÅSE	PLASTIC BAG																																																																																																									
11	2	200600797	LÄNKHJULSSATS	SWIVEL WHEEL KIT																																																																																																									
12	1	200600037	VAGN	WAGON																																																																																																									
13	2	1332036	SLANG, S51	HOSE, S51																																																																																																									
14	1	200600539	MOTORPAKET 230V	ENGINE PACK 230V																																																																																																									
15	2	200600818	HJULSATS	WHEEL KIT																																																																																																									
16	1	1333017	NYLONSLANG, D=4 mm	NYLON HOSE, D=4 mm																																																																																																									
17	1	200700191	NITSATS, STAVEX	RIVET KIT, STAVEX																																																																																																									
18	1	1351197	TÄTNING	SEAL																																																																																																									
19	1	200600801	FILTERHÅLLARE	FILTER HOLDER																																																																																																									
20	1	1337043	FILTER	FILTER																																																																																																									
D																																																																																																													
E																																																																																																													
F																																																																																																													

THE INFORMATION CONTAINED IN THIS DRAWING IS THE SOLE PROPERTY OF  
PULLMAN SCANDINAVIAN AB. ANY REPRODUCTION IN PART OR WHOLE WITHOUT  
THE WRITTEN PERMISSION OF PULLMAN ERMATOR IS PROHIBITED

# S2800C 230V

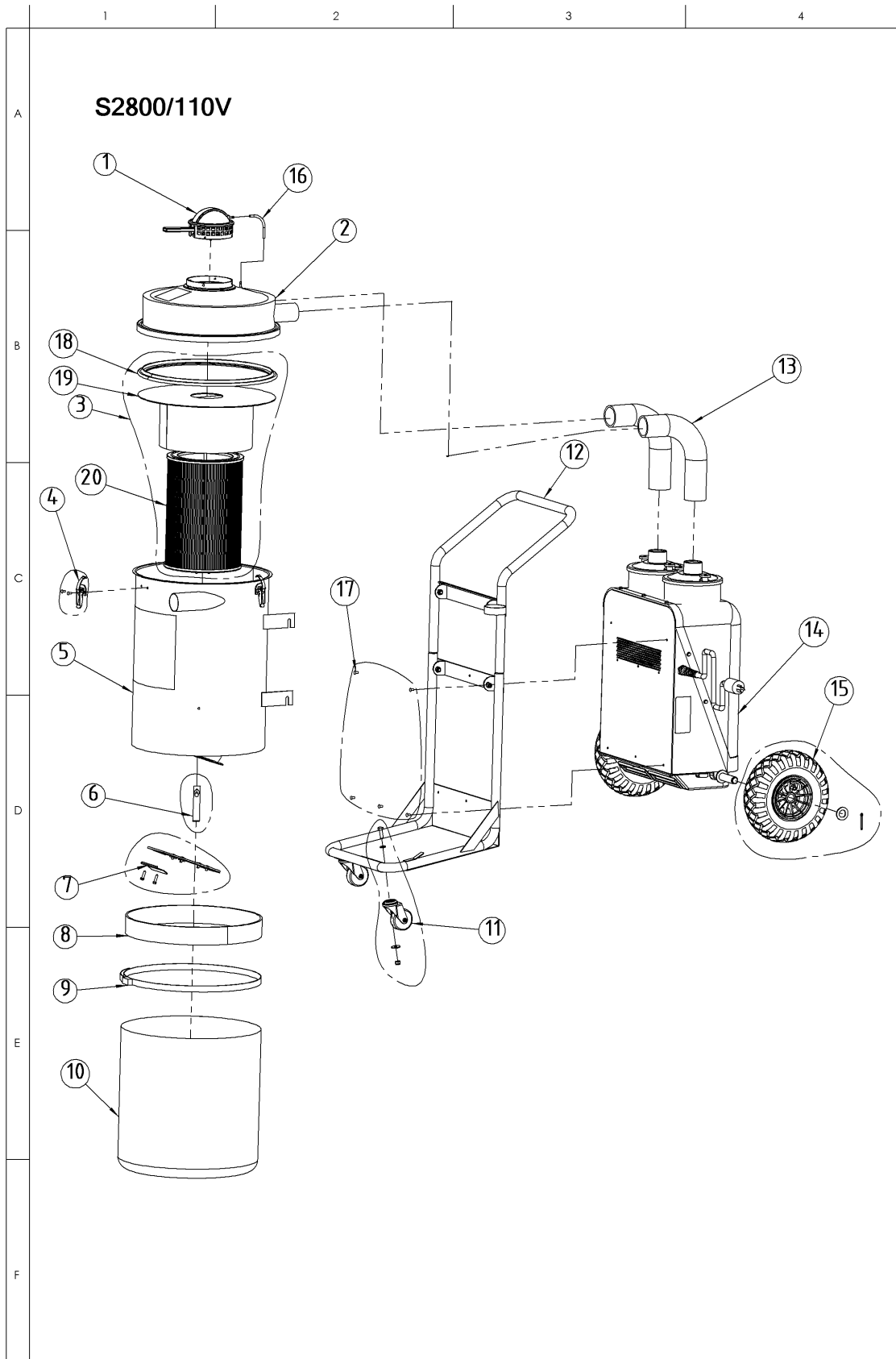


# S2800C 230V

1	2	3	4																																																																																																										
A	<p><b>S2800C</b></p> <table border="1"><thead><tr><th>POS.</th><th>QTY</th><th>NUMBER</th><th>BENÄMNING</th><th>DESCRIPTION</th></tr></thead><tbody><tr><td>1</td><td>1</td><td>200600127</td><td>RENSENHET</td><td>CLEAN UNIT</td></tr><tr><td>2</td><td>1</td><td>200600812</td><td>TANKTOPP KOMPLETT</td><td>TOP COVER COMPLETE</td></tr><tr><td>3</td><td>1</td><td>200600804c</td><td>FILTERPAKET</td><td>FILTER PACKAGE</td></tr><tr><td>4</td><td>3</td><td>200600799</td><td>SPÄNNE SATS</td><td>HOLDER KIT</td></tr><tr><td>5</td><td>1</td><td>200700052</td><td>TANK KOMPLETT</td><td>TANK COMPLETE</td></tr><tr><td>6</td><td>3</td><td>200700188</td><td>REMHÅLLARSATS</td><td>BELT HOLDER KIT</td></tr><tr><td>7</td><td>1</td><td>200700189</td><td>LUCKA SATS</td><td>FLAP KIT</td></tr><tr><td>8</td><td>1</td><td>1361163</td><td>GLIDSKYDD</td><td>ANTI-SKID</td></tr><tr><td>9</td><td>1</td><td>1371001</td><td>REM MED SPÄNNE</td><td>BELT</td></tr><tr><td>10</td><td>1</td><td>1376004</td><td>PLASTPÅSE</td><td>PLASTIC BAG</td></tr><tr><td>11</td><td>2</td><td>200600797</td><td>LÄNKHJULSSATS</td><td>SWIVEL WHEEL KIT</td></tr><tr><td>12</td><td>1</td><td>200600037</td><td>VAGN</td><td>WAGON</td></tr><tr><td>13</td><td>2</td><td>1332036</td><td>SLANG, S51</td><td>HOSE, S51</td></tr><tr><td>14</td><td>1</td><td>200600539</td><td>MOTORPAKET 230V</td><td>ENGINE PACK 230V</td></tr><tr><td>15</td><td>2</td><td>200600818</td><td>HJULSATS</td><td>WHEEL KIT</td></tr><tr><td>16</td><td>1</td><td>1333017</td><td>NYLONSLANG, D=4 mm</td><td>NYLON HOSE, D=4 mm</td></tr><tr><td>17</td><td>1</td><td>200700191</td><td>NITSATS, STAVEX</td><td>RIVET KIT, STAVEX</td></tr><tr><td>18</td><td>1</td><td>1351197</td><td>TÄTNING</td><td>SEAL</td></tr><tr><td>19</td><td>1</td><td>200600801</td><td>FILTERHÅLLARE</td><td>FILTER HOLDER</td></tr><tr><td>20</td><td>1</td><td>1337022</td><td>FILTER</td><td>FILTER</td></tr></tbody></table>				POS.	QTY	NUMBER	BENÄMNING	DESCRIPTION	1	1	200600127	RENSENHET	CLEAN UNIT	2	1	200600812	TANKTOPP KOMPLETT	TOP COVER COMPLETE	3	1	200600804c	FILTERPAKET	FILTER PACKAGE	4	3	200600799	SPÄNNE SATS	HOLDER KIT	5	1	200700052	TANK KOMPLETT	TANK COMPLETE	6	3	200700188	REMHÅLLARSATS	BELT HOLDER KIT	7	1	200700189	LUCKA SATS	FLAP KIT	8	1	1361163	GLIDSKYDD	ANTI-SKID	9	1	1371001	REM MED SPÄNNE	BELT	10	1	1376004	PLASTPÅSE	PLASTIC BAG	11	2	200600797	LÄNKHJULSSATS	SWIVEL WHEEL KIT	12	1	200600037	VAGN	WAGON	13	2	1332036	SLANG, S51	HOSE, S51	14	1	200600539	MOTORPAKET 230V	ENGINE PACK 230V	15	2	200600818	HJULSATS	WHEEL KIT	16	1	1333017	NYLONSLANG, D=4 mm	NYLON HOSE, D=4 mm	17	1	200700191	NITSATS, STAVEX	RIVET KIT, STAVEX	18	1	1351197	TÄTNING	SEAL	19	1	200600801	FILTERHÅLLARE	FILTER HOLDER	20	1	1337022	FILTER	FILTER
POS.					QTY	NUMBER	BENÄMNING	DESCRIPTION																																																																																																					
1					1	200600127	RENSENHET	CLEAN UNIT																																																																																																					
2					1	200600812	TANKTOPP KOMPLETT	TOP COVER COMPLETE																																																																																																					
3					1	200600804c	FILTERPAKET	FILTER PACKAGE																																																																																																					
4					3	200600799	SPÄNNE SATS	HOLDER KIT																																																																																																					
5					1	200700052	TANK KOMPLETT	TANK COMPLETE																																																																																																					
6					3	200700188	REMHÅLLARSATS	BELT HOLDER KIT																																																																																																					
7					1	200700189	LUCKA SATS	FLAP KIT																																																																																																					
8					1	1361163	GLIDSKYDD	ANTI-SKID																																																																																																					
9					1	1371001	REM MED SPÄNNE	BELT																																																																																																					
10					1	1376004	PLASTPÅSE	PLASTIC BAG																																																																																																					
11					2	200600797	LÄNKHJULSSATS	SWIVEL WHEEL KIT																																																																																																					
12					1	200600037	VAGN	WAGON																																																																																																					
13					2	1332036	SLANG, S51	HOSE, S51																																																																																																					
14					1	200600539	MOTORPAKET 230V	ENGINE PACK 230V																																																																																																					
15					2	200600818	HJULSATS	WHEEL KIT																																																																																																					
16					1	1333017	NYLONSLANG, D=4 mm	NYLON HOSE, D=4 mm																																																																																																					
17					1	200700191	NITSATS, STAVEX	RIVET KIT, STAVEX																																																																																																					
18					1	1351197	TÄTNING	SEAL																																																																																																					
19	1	200600801	FILTERHÅLLARE	FILTER HOLDER																																																																																																									
20	1	1337022	FILTER	FILTER																																																																																																									
B																																																																																																													
C																																																																																																													
D																																																																																																													
E																																																																																																													
F																																																																																																													

THE INFORMATION CONTAINED IN THIS DRAWING IS THE SOLE PROPERTY OF  
PULLMAN SCANDINAVIAN AB. ANY REPRODUCTION IN PART OR WHOLE WITHOUT  
THE WRITTEN PERMISSION OF PULLMAN ERMATOR IS PROHIBITED

# S2800 110V



# S2800 110V

1 2 3 4

A

B

## S2800/110V

C

POS.	QTY	NUMBER	BENÄMNING	DESCRIPTION
1	1	200600127	RENSENHET	CLEAN UNIT
2	1	200600812	TANKTOPP KOMPLETT	TOP COVER COMPLETE
3	1	200600804c	FILTERPAKET	FILTER PACKAGE
4	3	200600799	SPÄNNE SATS	HOLDER KIT
5	1	200700052	TANK KOMPLETT	TANK COMPLETE
6	3	200700188	REMHÅLLARSATS	BELT HOLDER KIT
7	1	200700189	LUCKA SATS	FLAP KIT
8	1	1361163	GLIDSKYDD	ANTI-SKID
9	1	1371001	REM MED SPÄNNE	BELT
10	1	1376004	PLASTPÅSE	PLASTIC BAG
11	2	200600797	LÄNKHJULSSATS	SWIVEL WHEEL KIT
12	1	200600037	VAGN	WAGON
13	2	1332036	SLANG, S51	HOSE, S51
14	1	200600539a	MOTORPAKET 110V	ENGINE PACK 110V
15	2	200600818	HJULSATS	WHEEL KIT
16	1	1333017	NYLONSLANG, D=4 mm	NYLON HOSE, D=4 mm
17	1	200700191	NITSATS, STAVEX	RIVET KIT, STAVEX
18	1	1351197	TÄTNING	SEAL
19	1	200600801	FILTERHÅLLARE	FILTER HOLDER
20	1	1337022	FILTER	FILTER

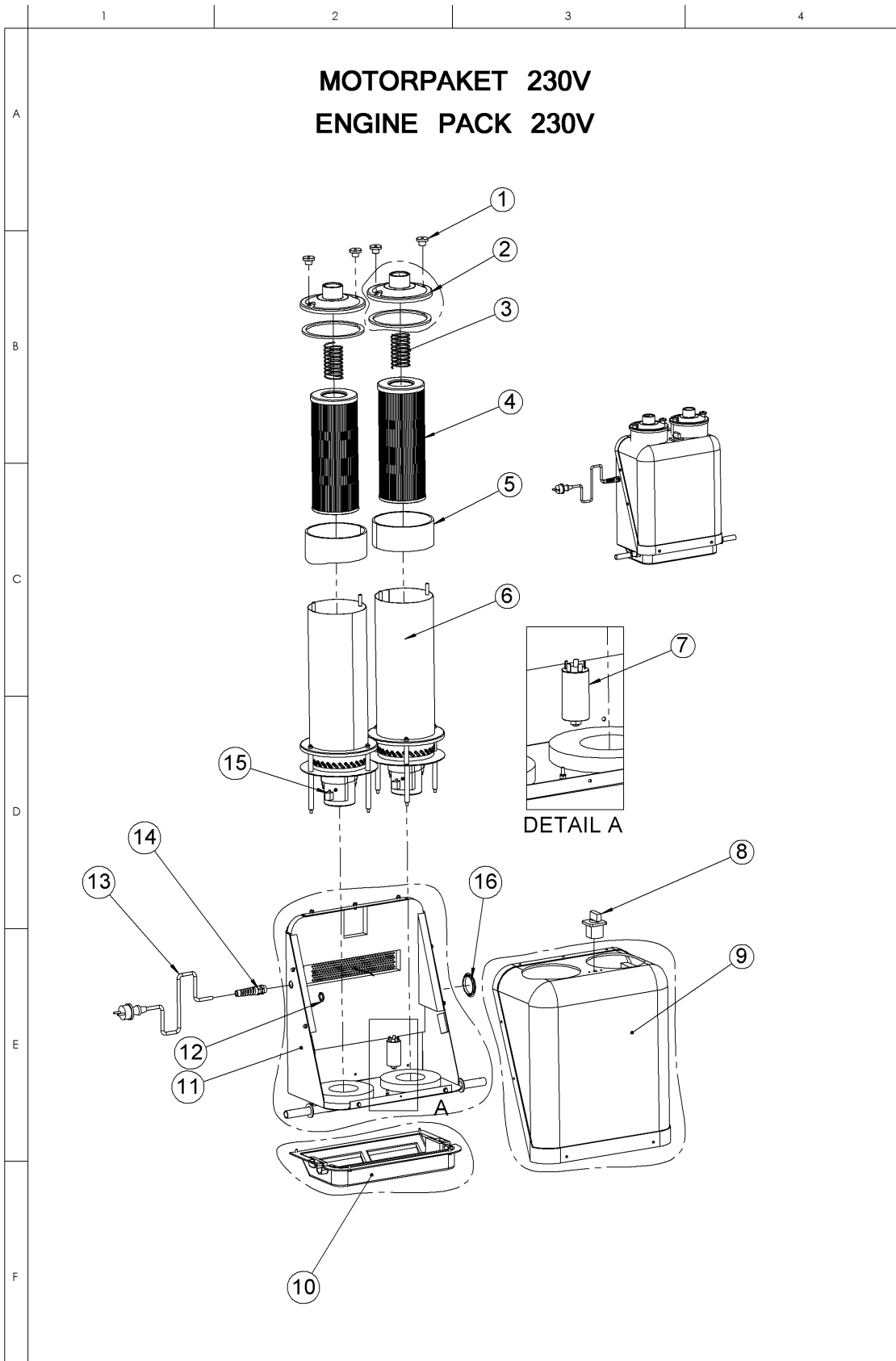
D

E

F

THE INFORMATION CONTAINED IN THIS DRAWING IS THE SOLE PROPERTY OF PULLMAN SCANDINAVIAN AB. ANY REPRODUCTION IN PART OR WHOLE WITHOUT THE WRITTEN PERMISSION OF PULLMAN ERMATOR IS PROHIBITED.

# Motorpaket 230V, Engine pack. 230V



THE INFORMATION CONTAINED IN THIS DRAWING IS THE SOLE PROPERTY OF  
 PULLMAN SCANDINAVIAN AB. ANY REPRODUCTION IN PART OR WHOLE WITHOUT  
 THE WRITTEN PERMISSION OF PULLMAN ERMATOR IS PROHIBITED.

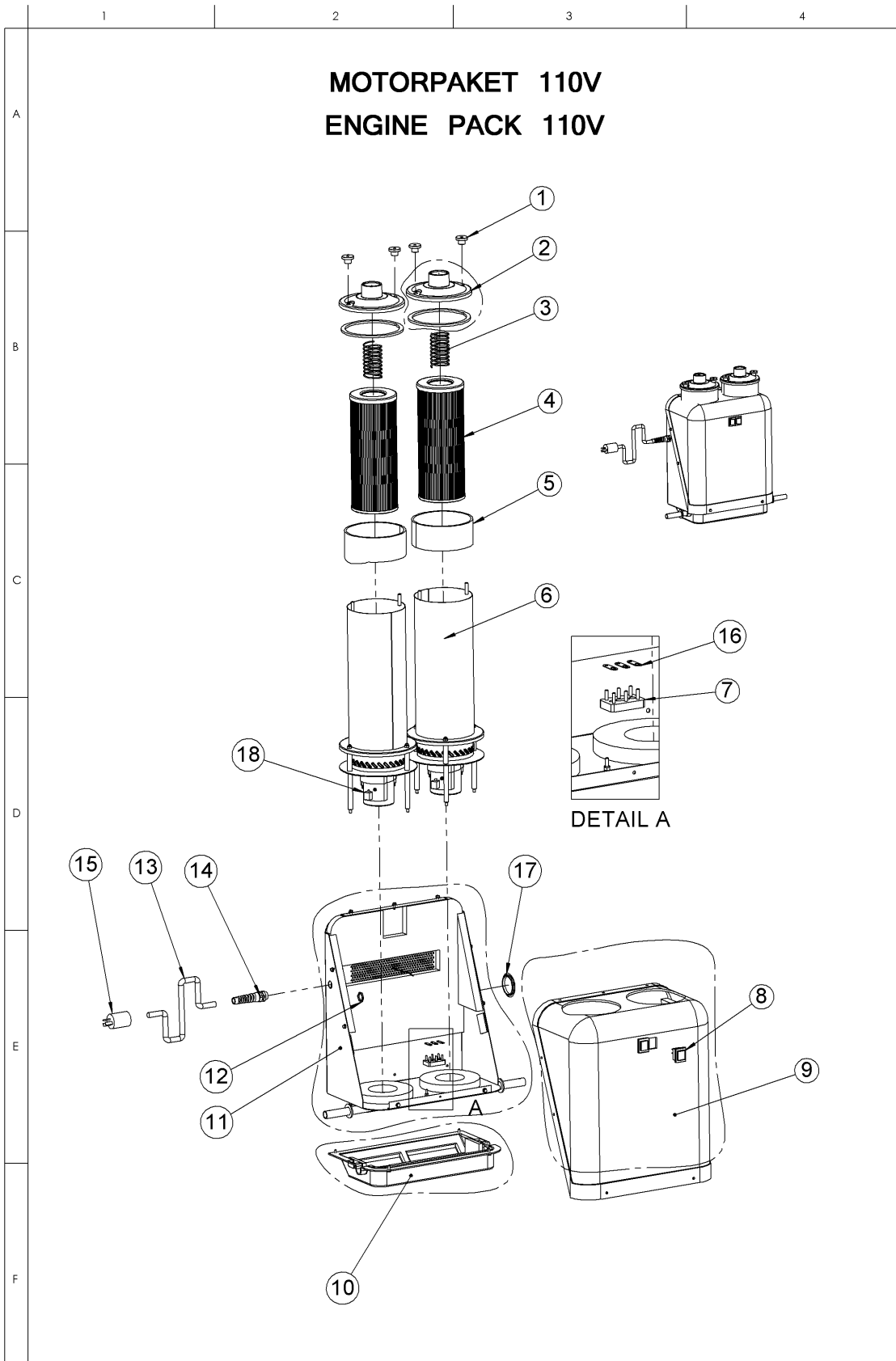
# Motorpaket 230V, Engine pack. 230V

POS.	QTY	NUMBER	BENÄMNING	DESCRIPTION
1	4	1358010	LETTERMUTTER	LETTER NUT
2	2	200600483	LOCK SATS	COVER KIT
3	2	1357056	FJÄDER	SPRING
4	2	1337021	FILTER, MICRO	FILTER, MICRO
5	2	200600080	TÄTNING	SEALING
6	2	200600084	MOTORRÖR	ENGINE TUBE
7	1	1362165	AVSTÖRNINGSFILTER	ELECTRICAL FILTER
8	1	1362134	GRUPPSTRÖMSTÄLLARE, V105/46.0200	SWITCH, V105/46.0200
9	1	200600805	MOTORKÅPA SATS 230V	ENGINE COVER KIT 230V
10	1	200600806	MOTORLOCK SATS	COVER KIT
11	1	200600807	CHASSI SATS	CHASSIS KIT
12	1	1362055	KONTRAMUTTER, (PG11)	JAM NUT, (PG11)
13	1	1361023	SLADDSTÄLL	CORD SET
14	1	1362132	KABELFÖRSKRUVNING, (PG11)	CABLE FIX, (PG11)
15	2	1352049	MOTOR 1200W, 230V SBDS12301A	ENGINE 1200W, 230V SBDS12301A
16	1	1370020	TÄCKLOCK	COVER

THE INFORMATION CONTAINED IN THIS DRAWING IS THE SOLE PROPERTY OF  
PULLMAN SCANDINAVIAN AB. ANY REPRODUCTION IN PART OR WHOLE WITHOUT  
THE WRITTEN PERMISSION OF PULLMAN ERMATOR IS PROHIBITED



# Motorpaket 110V, Engine pack. 110V

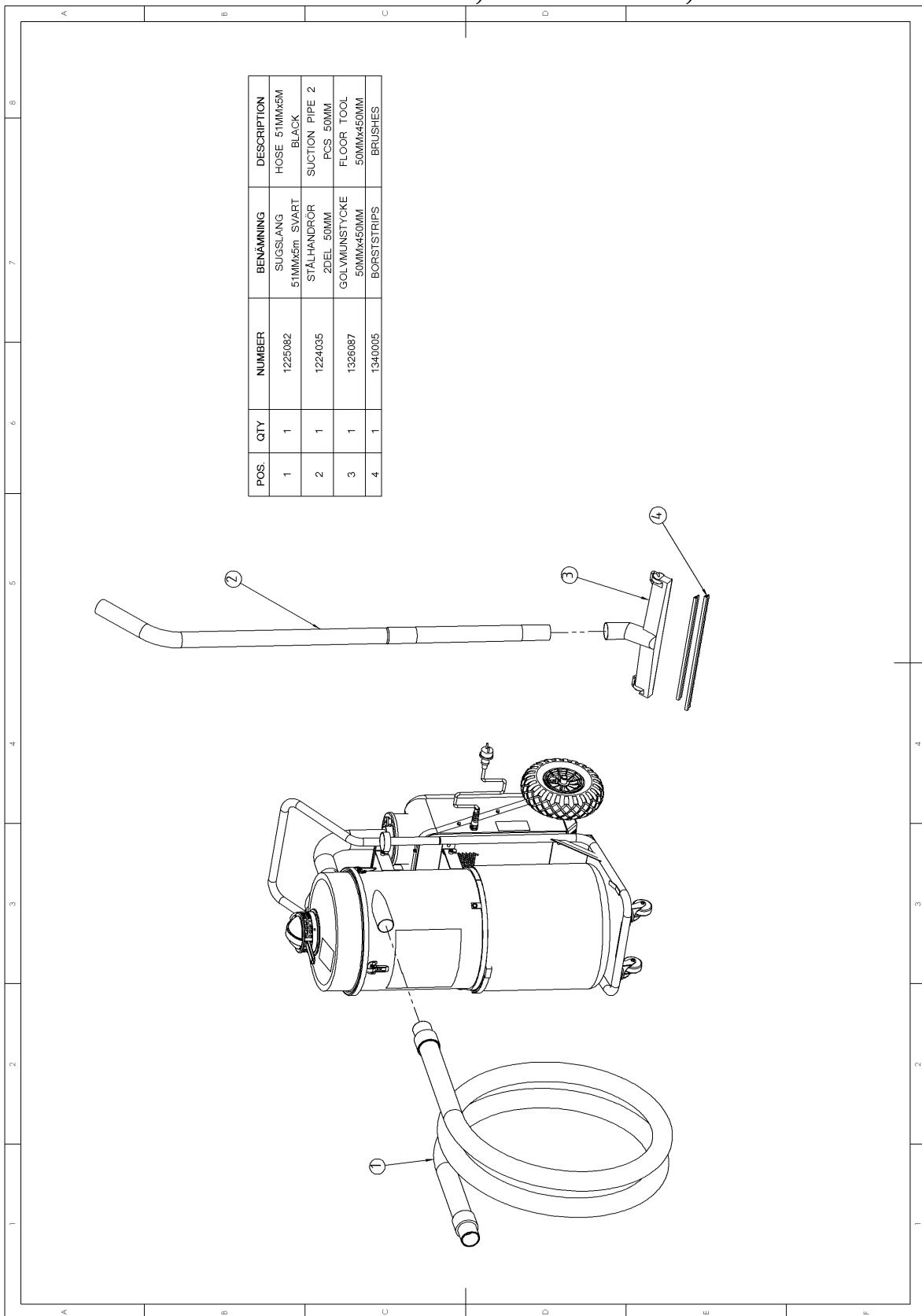


# Motorpaket 110V, Engine pack. 110V

POS.	QTY	NUMBER	BENÄMNING	DESCRIPTION
1	4	1358010	LETTERMUTTER	LETTER NUT
2	2	200600483	LOCK SATS	COVER KIT
3	2	1357056	FJÄDER	SPRING
4	2	1337021	FILTER, MICRO	FILTER, MICRO
5	2	200600080	TÄTNING	SEALING
6	2	200600084a	MOTORRÖR	ENGINE TUBE
7	1	1362042	KOPPLINGSPLINT	TERMINAL
8	2	1362182	STRÖMBRYTARE MED SKYDD	SWITCH WITH CAP
9	1	200600805a	MOTORKÅPA SATS 110V	ENGINE COVER KIT 110V
10	1	200600806	MOTORLOCK SATS	COVER KIT
11	1	200600807	CHASSI SATS	CHASSIS KIT
12	1	1362055	KONTRAMUTTER, (PG11)	JAM NUT, (PG11)
13	1	1361025	REV3G2.5 Kabel	REV3G2.5 CABLE
14	1	1362184	KABELFÖRSKRUVNING, (PG13,5)	CABLE FIX, (PG13,5)
15	1	1362208	STICKPROPP USA 110V	PLUG USA 110V
16	3	1362043	BLECK	CLOSING LINK
17	1	1370020	TÄCKLOCK	COVER
18	2	1352051	MOTOR 1000W, 110V SBDS10301 AAU	ENGINE 1000W, 110V SBDS10301 AAU

THE INFORMATION CONTAINED IN THIS DRAWING IS THE SOLE PROPERTY OF PULLMAN SCANDINAVIAN AB. ANY REPRODUCTION IN PART OR WHOLE WITHOUT THE WRITTEN PERMISSION OF PULLMAN ERMATOR IS PROHIBITED

# Tillbehör/Accessories S2800 230V, S2800C 230V, S2800 110V



POS.	QTY	NUMBER	BENÄMNING	DESCRIPTION
1	1	1225082	SUGSLANG 51MMx5m SVART BLACK	HOSE 51MMx5M BLACK
2	1	1224035	STÅLHANDRÖR 2DEEL 50MM	SUCTION PIPE 2 PCS 50MM
3	1	1326087	GOLVMUNSTYCKE 50MMx450MM	FLOOR TOOL 50MMx450MM
4	1	1340005	BORSTSTRIPS	BRUSHES