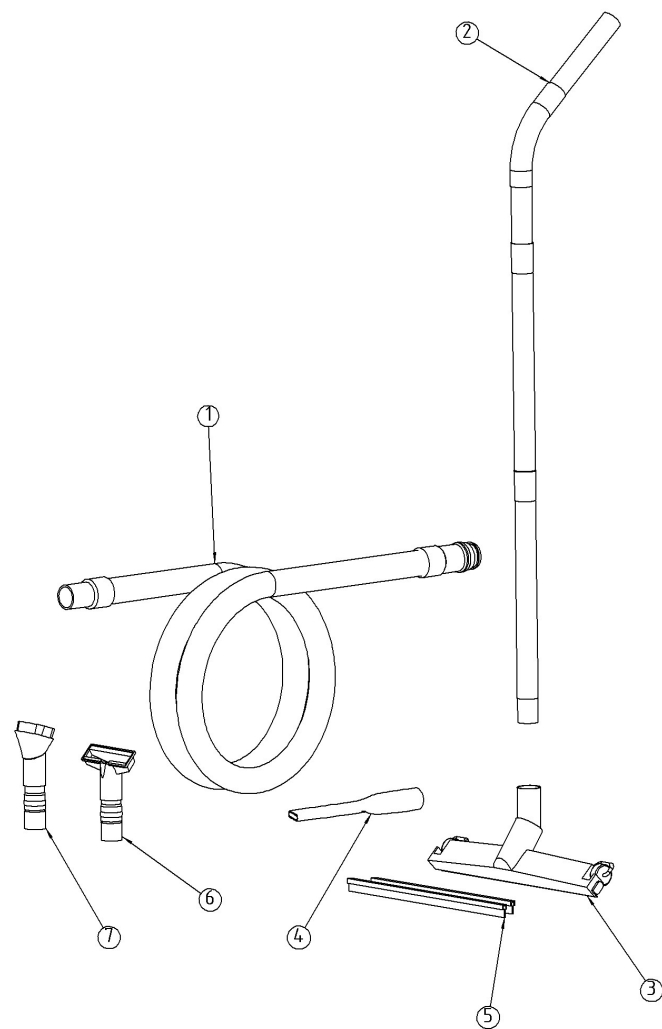
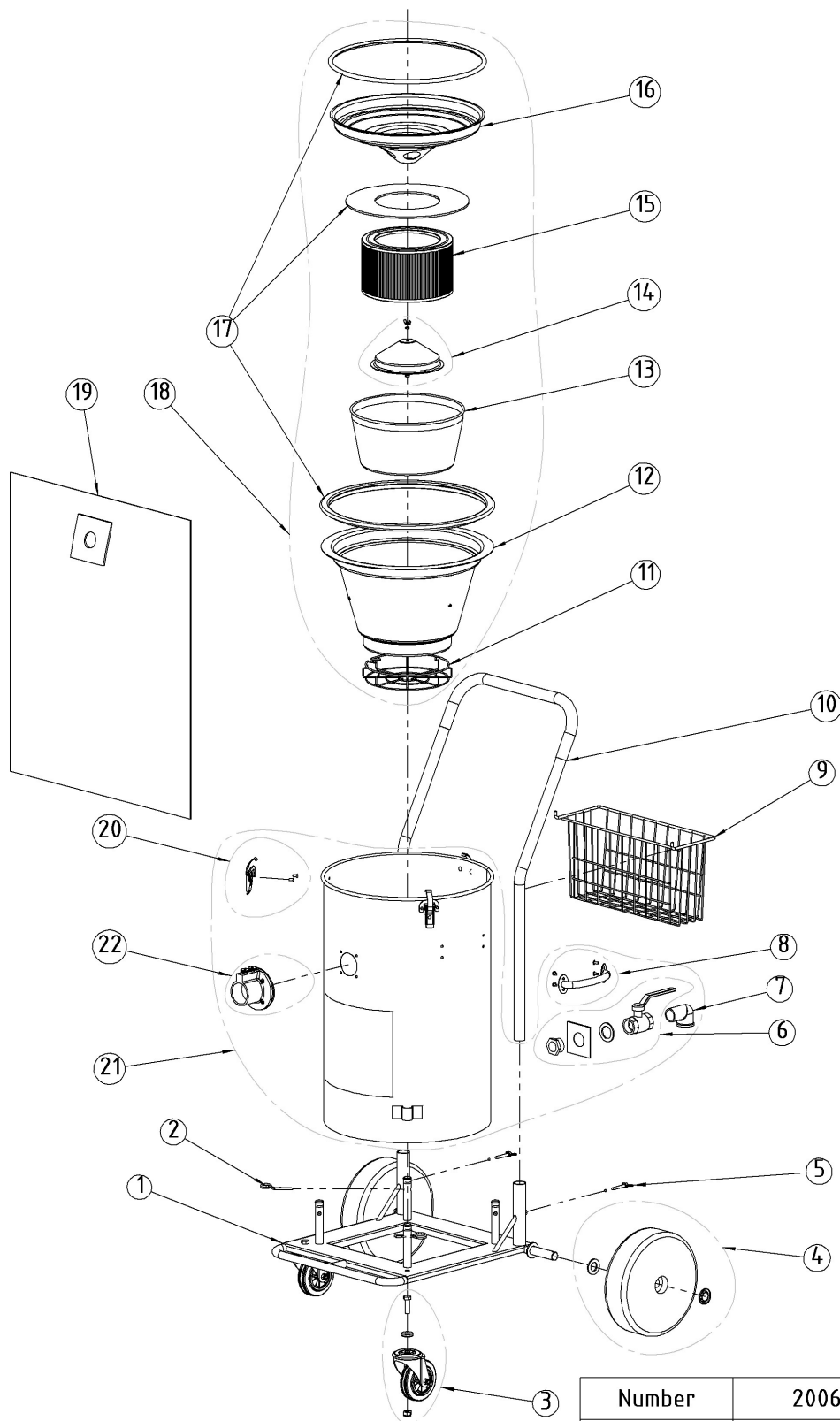


Tillbehör/Accessories W350



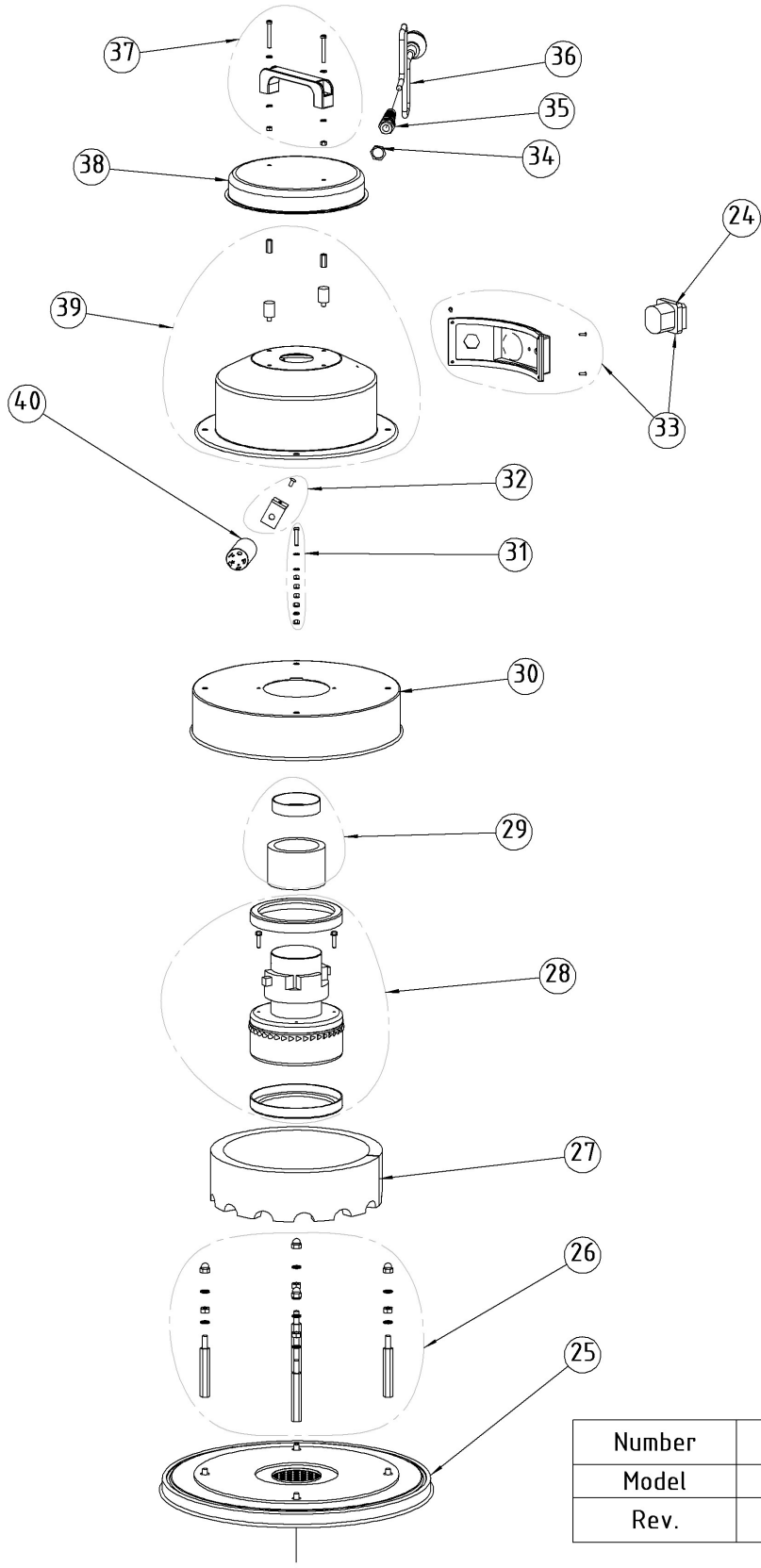
| POS. | QTY | NUMBER | BENÄMNING | DESCRIPTION |
|------|-----|---------|------------------------------|---------------------------------|
| 1 | 1 | 1225076 | SUGSLANG 51 mm x 3 m, SVART | SUCTION HOSE 51 mm x 3 m, BLACK |
| 2 | 1 | 6324034 | HANDRÖRSSATS, SVART | STEEL TUBE KIT, BLACK |
| 3 | 1 | 1326086 | GOLVMUNSTYCKE 38 mm x 450 mm | FLOOR TOOL 38 mm x 450 mm |
| 4 | 1 | 1226035 | FOGMUNSTYCKE | CREVICE TOOL |
| 5 | 1 | 1340004 | GUMMISTRIPS (L=400/445 mm) | RUBBER BLADES (L=400/445 mm) |
| 6 | 1 | 1226018 | PLANMUNSTYCKE MED ADAPTER | UPHOLSTERY NOZZLE |
| 7 | 1 | 1226007 | BORSTMUNSTYCKE MED ADAPTER | BRUSH TOOL WITH ADAPTOR |

W350



| | |
|--------|-----------|
| Number | 200600762 |
| Model | W350 |
| Rev. | 00 |

W350



| | |
|--------|-----------|
| Number | 200600762 |
| Model | W350 |
| Rev. | 00 |

W350

| POS. | QTY | NUMBER | BENÄMNING | DESCRIPTION |
|------|-----|------------|----------------------------------|-----------------------------------|
| 1 | 1 | 1223010 | VAGN, KOMPLETT | WAGON, COMPLETE |
| 2 | 2 | 1357036 | LÅSSPRINT | LOCKING PIN |
| 3 | 2 | 200700302 | FRAMHJUL, SATS | FRONT WHEEL, KIT |
| 4 | 2 | 200800280 | BAKHJUL, SATS | REAR WHEEL, KIT |
| 5 | 2 | 1360165 | VINGSKRUV | FINGER SCREW |
| 6 | 1 | 200700304 | VENTIL, SATS | VALVE, KIT |
| 7 | 1 | 1349017 | VINKEL (R25) | NIPPLE (R25) |
| 8 | 2 | 200600819 | HANDTAG, SATS | HANDLE, KIT |
| 9 | 1 | 1342005 | VERKTYGSKORG | TOOL BASKET |
| 10 | 1 | 1342003 | HANDTAG | HANDLE |
| 11 | 1 | 1338018 | PÅSGALLER | BAG GUARD |
| 12 | 1 | 200700305 | AVSKILJARKÄRL, KOMPLETT | CYCLONE, COMPLETE |
| 13 | 1 | 1338014 | FLOTTÖR | FLOATING VESSEL |
| 14 | 1 | 200800229 | FILTERLOCK, SATS | FILTER CAP, KIT |
| 15 | 1 | 1337019 | FILTER | FILTER |
| 16 | 1 | 1338013 | FILTERHÅLLARE | FILTER HOLDER |
| 17 | 1 | 200700306 | TÄTNINGAR, SATS | SEALINGS, KIT |
| 18 | 1 | 1220006 | 400G KOMBIFILTER, KOMPLETT | 400G COMBINED FILTER, COMPLETE |
| 19 | 1 | 4228086 | TH55 FLERSKIKTSPÅSE (10-PACK) | TH55 DISPOSABLE BAG (10 PCS) |
| 20 | 3 | 200600799 | SPÄNNE, SATS | HOLDER, KIT |
| 21 | 1 | 1222041 | TANK, KOMPLETT MED AVLOPP | TANK, COMPLETE WITH DUMP VALVE |
| 22 | 1 | 1344002 | SLANGINTAG, KOMPLETT | TANK INLET, COMPLETE |
| 23 | 1 | 1344012 | VINKELRÖR | SCOOP |
| 24 | 1 | 1362135 | STRÖMSTÄLLARE | SWITCH |
| 25 | 1 | 200700310 | BOTTENPLATTA, KOMPLETT | CAN CAP, COMPLETE |
| 26 | 1 | 200700311 | DISTANS, SATS | SPACER, KIT |
| 27 | 1 | 1351157 | LJUDISOLERING | SOUND INSULATION |
| 28 | 1 | 200700312 | MOTOR, KOMPLETT | ENGINE, COMPLETE |
| 29 | 1 | 200700313 | TÄTNING, SATS | SEALING, KIT |
| 30 | 1 | 200700314 | MELLANKÅPA, KOMPLETT | BLOWER CHAMBER, COMPLETE |
| 31 | 1 | 200700315 | JORDSKRUV, SATS | GROUND SCREW, KIT |
| 32 | 1 | 200700316 | AVSTÖRNINGSFILTERHÅLLARE, SATS | ELECTRICAL FILTER HOLDER, KIT |
| 33 | 1 | 200700317a | ELPANEL, KOMPLETT | ELECTRICAL PANEL, COMPLETE |
| 34 | 1 | 1362055 | KONTRAMUTTER | JAM NUT |
| 35 | 1 | 1362132 | KABELFÖRSKRUVNING | CABLE FIX |
| 36 | 1 | 1361023 | SLADDSTÄLL | CORD SET |
| 37 | 1 | 200700318 | HANDTAG, SATS | HANDLE, KIT |
| 38 | 1 | 200700319 | TOPPLOCK, KOMPLETT | CAP, COMPLETE |
| 39 | 1 | 200700320 | MOTORKÅPA, KOMPLETT | DOME, COMPLETE |
| 40 | 1 | 1362165 | AVSTÖRNINGSFILTER | ELECTRICAL FILTER |

| | |
|--------|-----------|
| Number | 200600762 |
| Model | W350 |
| Rev. | 00 |