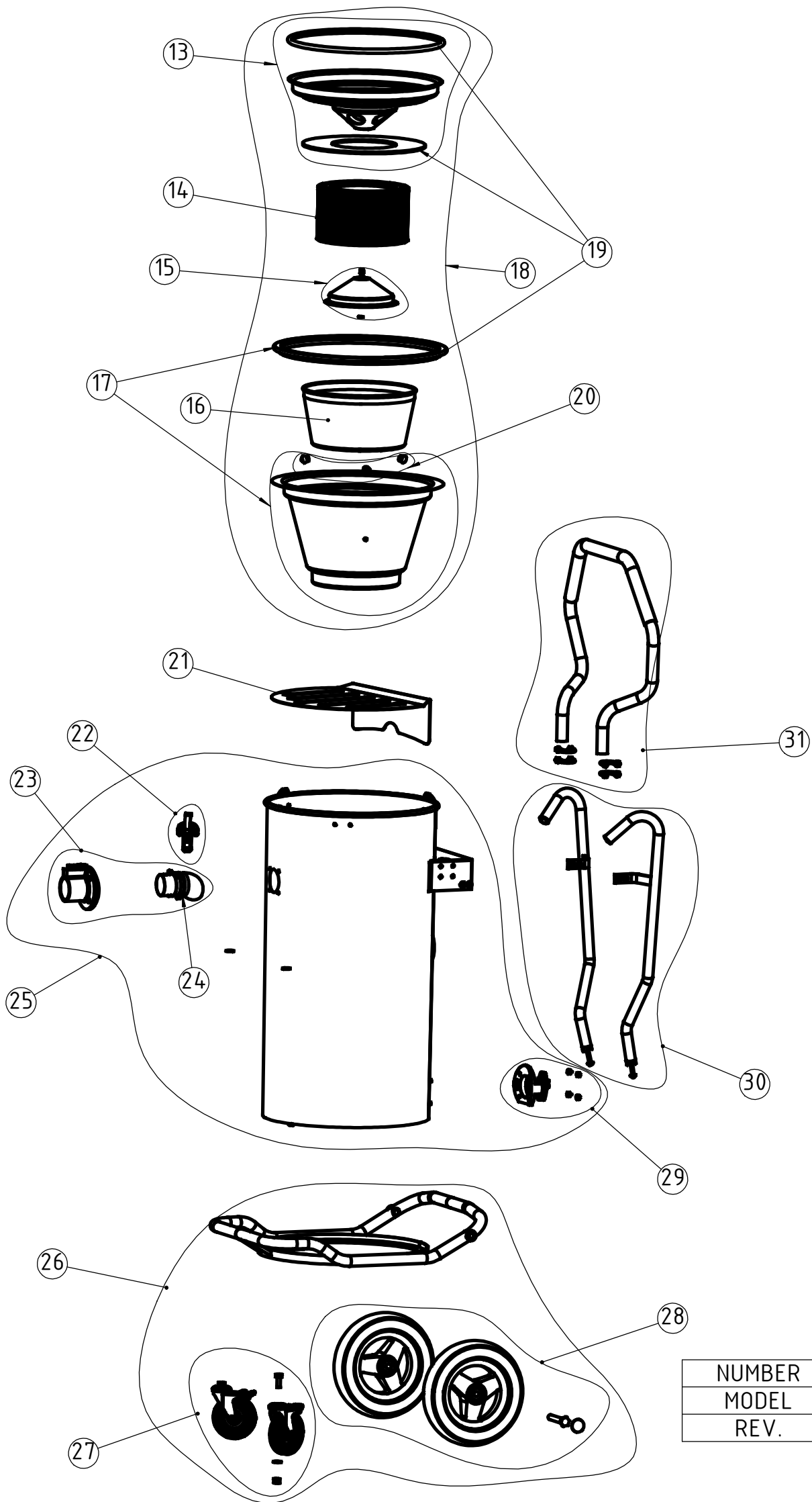


NUMBER	20100055
MODEL	W70
REV.	A-02



NUMBER	20100055
MODEL	W70
REV.	A-02

POS.	QTY.	NUMBER	DESCRIPTION
1	1	200700318	HANDLE, KIT
2	1	200700319	CAP, COMPLETE
3	1	201100784	DOME, COMPLETE (ex. W70)
4	1	201100151	SWITCH PACKING
5	1	201000141	CABLE FIX KIT (PG11)
6	1	201100132	CORD SET PACKING
7	1	200700314	BLOWER CHAMBER, COMPLETE
8	1	200700313	SEALING, KIT
9	1	200700312	ENGINE, COMPLETE
10	1	1351157	SOUND INSULATION
11	1	200700311	SPACER, KIT
12	1	200700310	CAN CAP, COMPLETE
13	1	201100785	TOP CAP FILTER COMPLETE
14	1	1337019	FILTER
15	1	201100786	FILTER CAP, KIT
16	1	201100787	FLOATING VESSEL, KIT
17	1	200700305	CYCLONE, COMPLETE
18	1	1220005	COMBINED FILTER , COMPLETE
19	1	200700306	SEALINGS, KIT
20	1	201100788	PLASTIC PLUG KIT
21	1	201100789	FILTER BAG COVER(ex.W70)
22	3	200600799	HOLDER, KIT
23	1	1344002	TANK INLET, COMPLETE
24	1	1344012	SCOOP
25	1	201100790	TANK, COMPLETE (ex.W70)
26	1	201100791	WAGON COMPLETE (ex.W70P)
27	1	200800152	FRONT WHEEL KIT
28	1	200800151	REAR WHEEL KIT
29	1	201100792	EXIT COVER KIT
30	1	200800147	SKID PROTECTION, KIT
31	1	200800148	HANDLE, COMPLETE

NOTE:

The green cell =the new number