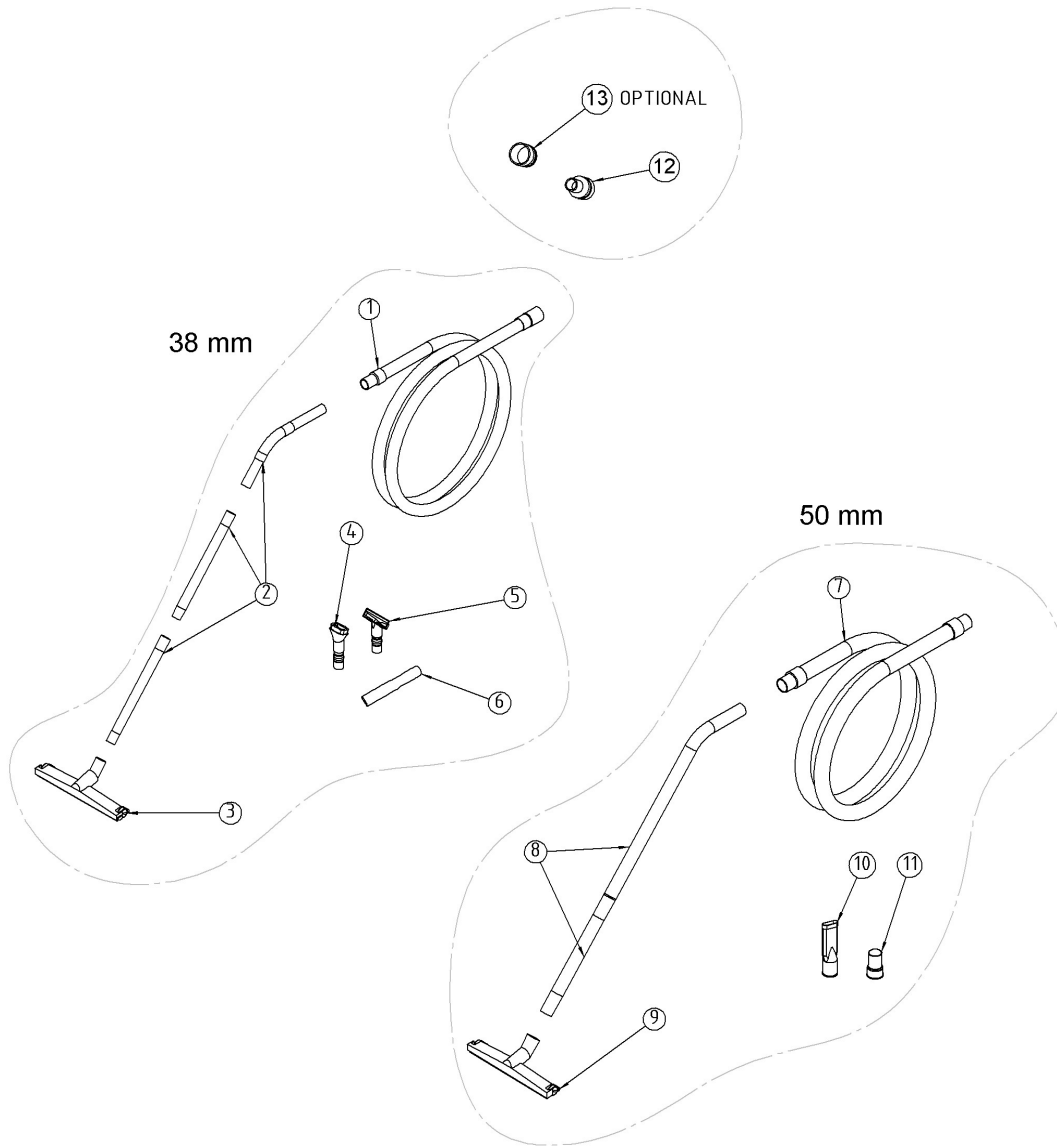


STÄDTRUSTNING  
CLEANING EQUIPMENT



38 mm

POS.	QTY	NUMBER	BENÄMNING	DESCRIPTION
1	1	1225076	PS37A SUGSLANG (38 mm x 3 m)	PS37A HOSE (38 mm x 3 m)
2	1	6324034	KC004S HANDRÖRSSATS	KC004 WAND
3	1	1326086	S400 GOLVMUNSTYCKE	S400 FLOOR TOOL
4	1	1226007	28 BORSTMUNSTYCKE MED ADAPTER	28 BRUSH TOOL WITH ADAPTER
5	1	1226018	44 PLANMUNSTYCKE MED ADAPTER	44 UPHOLSTERY NOZZLE WITH ADAPTER
6	1	1226035	2529P FOGMUNSTYCKE	2529P CREVICE TOOL

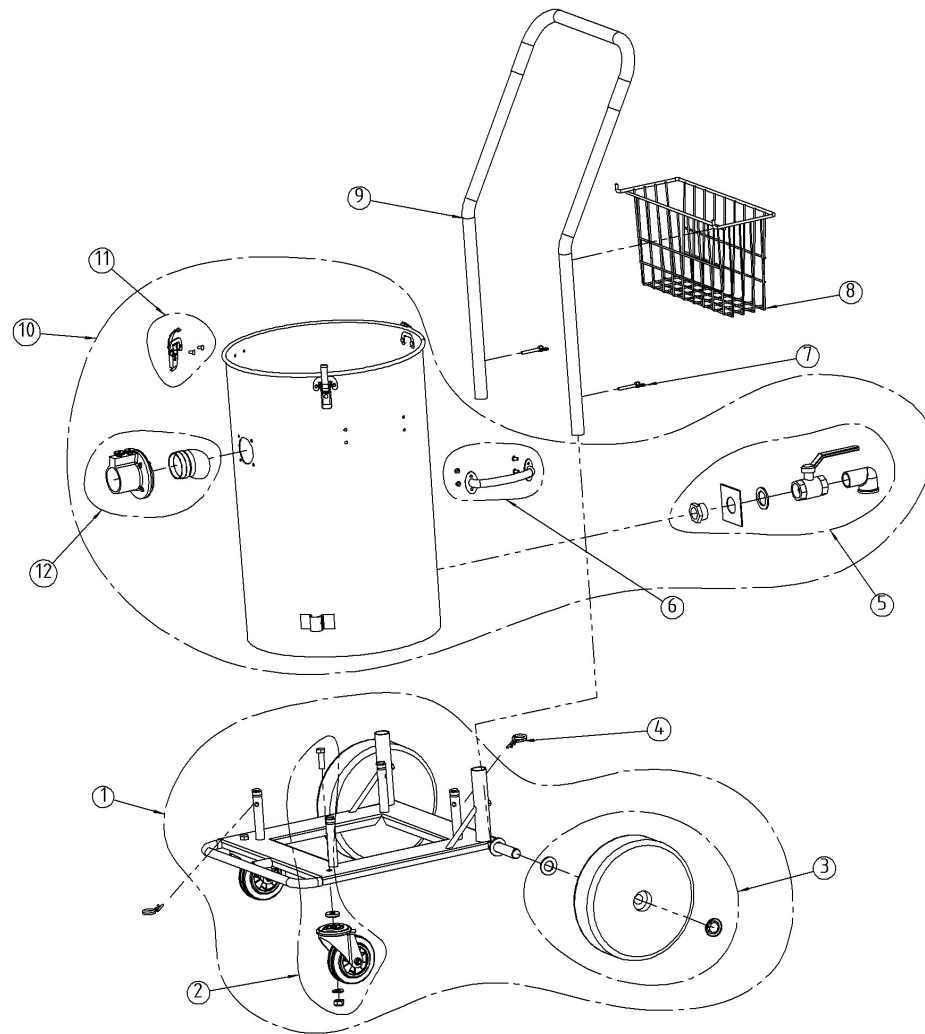
50 mm

POS.	QTY	NUMBER	BENÄMNING	DESCRIPTION
7	1	1225081	PS51A SUGSLANG (51 mm x 3 m)	PS51A HOSE (51 mm x 3 m)
8	1	1224035	50S STÅLHANDRÖR 2-DELAT	50S WAND 2 PCS
9	1	1326087	S450 GOLVMUNSTYCKE	S450 FLOOR TOOL
10	1	6326017	LL003 FOGMUNSTYCKE	LL003 CREVICE TOOL
11	1	6334006	AD002 ADAPTER	AD002 ADAPTER

ENDAST FATSUG  
ONLY BARREL

POS.	QTY	NUMBER	BENÄMNING	DESCRIPTION
12	1	6334001	EE007 METALLADAPTER (DIA. 50/70)	EE007 ADAPTER (DIA 50/70)
13	1	6334002	EE009 METALLADAPTER (DIA. 70/90)	EE009 ADAPTER (DIA 70/90)

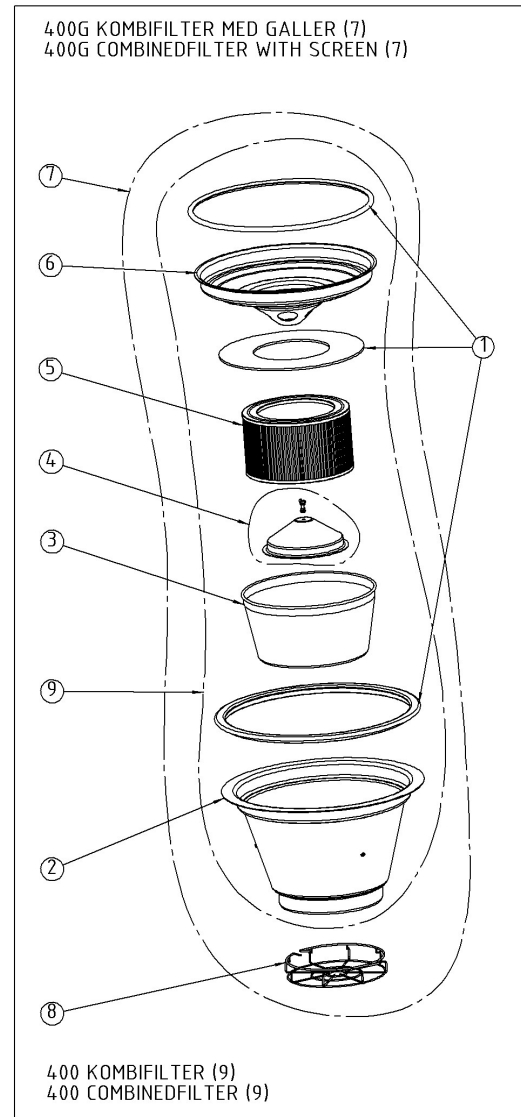
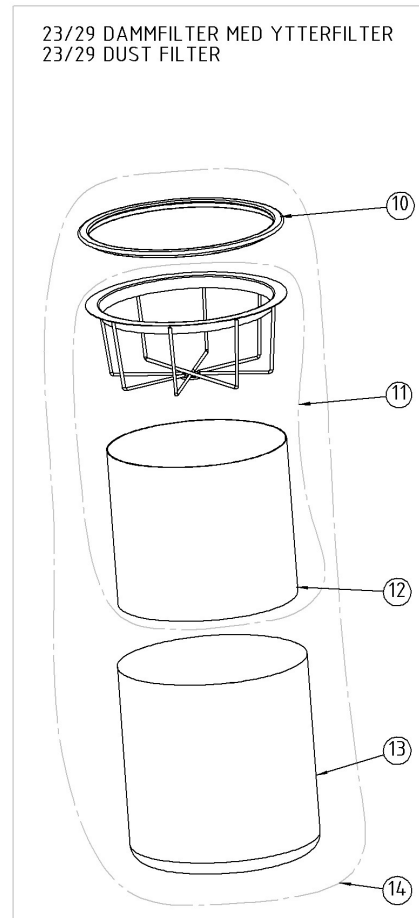
VAGN  
WAGON



POS.	QTY	NUMBER	BENÄMNING	DESCRIPTION
1	1	1223010	VAGN	WAGON
2	2	200700302	FRAMHJULSSATS	FRONT WHEEL KIT
3	2	200600796	BAKHJULSSATS	REAR WHEEL KIT
4	2	1357036	LÄSSPRINT	LOCKING PIN
5	1	200800211	VENTILSATS	VALVE KIT
6	2	200600819	HANDTAGSSATS	HANDLE KIT
7	2	1360165	VINGSKRUV	FINGER SCREW
8	1	1342005	VERKTYGSKORG	TOOL BASKET
9	1	1342003	HANDTAG	HANDLE
10	1	1222041	TANK MED AVLOPP	TANK WITH DUMP VALVE
11	3	200600799	SPÄNNE, SATS	CLAMP
12	1	1344002	SLANGINTAG	TANK INLET
13	1	4228086	TH55 FLERSKIKTSPÅSE (10-PACK)	TH55 DISPOSABLE BAG (10 PCS)

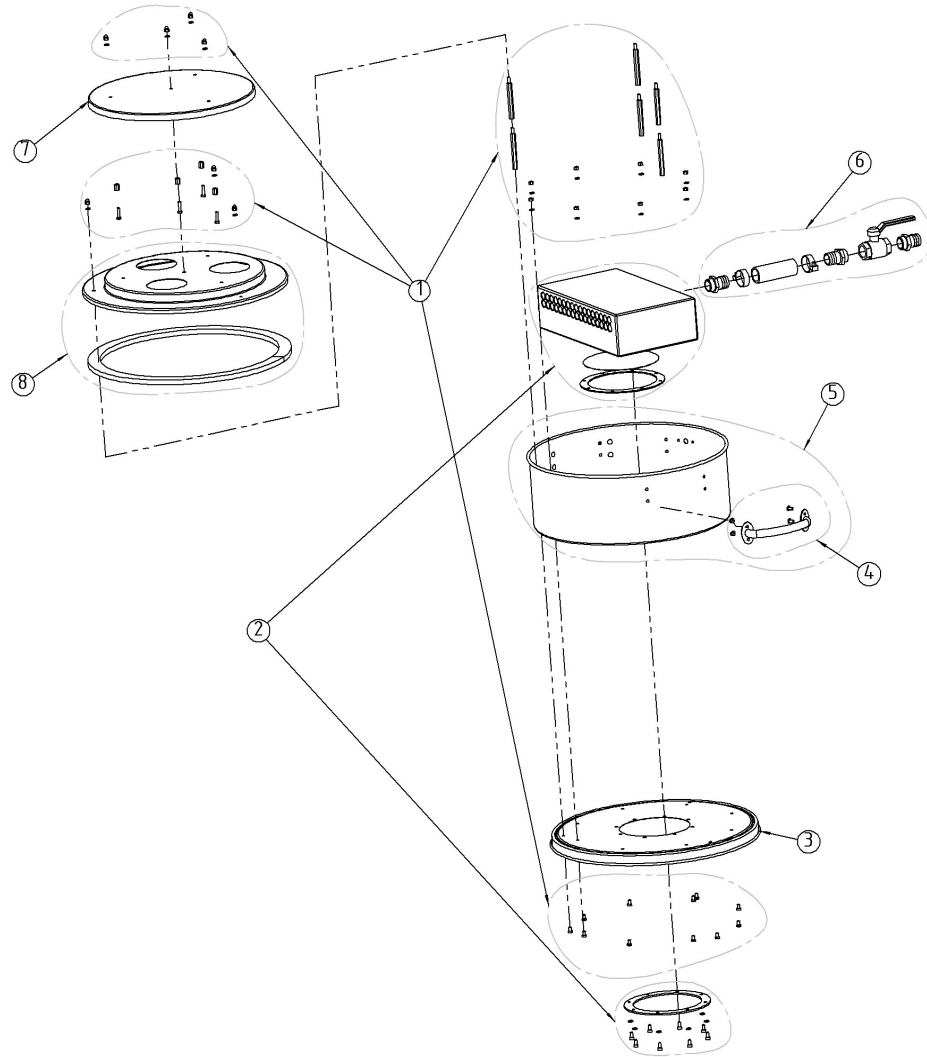


FILTER



POS.	QTY	NUMBER	BENÄMNING	DESCRIPTION
1	1	200700306	TÄTNINGAR, SATS	SEALINGS, KIT
2	1	200700305	AVSKILJARKÄRL, KOMPLETT	CYCLONE, COMPLETE
3	1	1338014	FLOTTÖR	FLOATING WESSEL
4	1	200800229	FILTERLOCK, SATS	FILTER CAP, KIT
5	1	1337019	FILTER	FILTER
6	1	1338013	FILTERHÅLLARE	FILTERHOLDER
7	1	1220005	400 KOMBIFILTER, KOMPLETT	400 COMBINED FILTER, COMPLETE
8	1	1338018	PÅSGALLER	BAG GUARD
9	1	1220006	400G KOMBIFILTER MED GALLER, KOMPLETT	400G COMBINED FILTER WITH SCREEN, COMPLETE
10	1	1351007	TÄTNINGSRING	SEALING RING
11	1	200800212	INNERFILTER, SATS	INNER FILTER, KIT
12	1	1337001	23A INNERFILTER	23A INNER FILTER
13	1	1337003	29 YTTERFILTER	29 OUTER FILTER
14	1	1220002	23/29 DAMMFILTER	23/29 DUST FILTER

I2000T SUGAGGREGAT  
I2000T SUCTION UNIT



POS.	QTY	NUMBER	BENÄMNING	DESCRIPTION
1	1	200800255	SKRUVSATS	SCREW KIT
2	1	1350083	BOTTENPLATTA	CAN CAP
3	1	1349003	L2000 EJEKTOR, KOMPLETT	L2000 EJECTOR, COMPLETE
4	2	200600819	HANDTAGSSATS	HANDLE, KIT
5	1	200600819	MOTORHUS, SATS	ENGINE HOUSING, KIT
6	1	200800256a	TRYCKLUFTS-ANSLUTNINGSSATS	COMPRESSED AIR CONNECTOR KIT
7	1	1350067	TOPPLOCK	CAP
8	1	200800257	DISTANSLOCK, SATS	CAP, KIT